

Bruno VPL-3300B Series

Unenclosed Application - Design and Planning Guide



Bruno VPL-3300B Series Unenclosed Application

Table of contents

Planning Guide Purpose	3
Vertical Platform Lift Definition	3
Benefits of Vertical Platform Lifts	3
Design Assistance	3
General Information	3
How it Works/Key Components	4-5
Lift Height and Floor-to-Floor Measuring.....	6
Platforms.....	6
Platform Configurations.....	7
Operating Controls.....	7
Options	8-9
Doors and Gates.....	9-10
Site Construction Details.....	10
Application Specific Drawings	11-22
Landing Gate Detail.....	23-26
Flush Mount Door Detail	27-30
Flush Mount Aluminum Door Detail.....	31-35

Planning Guide Purpose

Use this planning guide to gain details on incorporating a Bruno Unenclosed Vertical Platform Lift into a public building design. All Bruno commercial vertical platform lifts meet the following applicable codes and performance standards:

- ASME A18.1-2011 Section 2 (Public) Safety Standards for Platform Lifts and Stairway Chairlifts
- ASME A18.1-2014 Section 2 (Public) Safety Standards for Platform Lifts and Stairway Chairlifts
- ASME A18.1-2017 Section 2 (Public) Safety Standards for Platform Lifts and Stairway Chairlifts
- CAN/CSA B355-09 (Public) Lifts for Persons with Physical Disabilities
- CAN/CSA B355-15 (Public) Lifts for Persons with Physical Disabilities
- CSA B44.1-11/ASME A17.5-2011 - Elevator and Escalator Electrical Equipment
- CSA B44.1-14/ASME A17.5-2014 - Elevator and Escalator Electrical Equipment
- CSA - National Electric Code
- NFPA 70 - National Electric Code

Vertical Platform Lift Definition

Vertical platform lifts (VPLs) are a cost-effective solution to make a church, school, office or other public building accessible for people using mobility devices. Sometimes called a wheelchair lift, a VPL provides code-compliant access up to 14' in a variety of configurations (check with local jurisdiction) and are suitable for indoor or outdoor use.



Unenclosed Vertical Platform Lift, access up to 60"

Benefits of Vertical Platform Lifts

Cost-Effective

Gain cost efficiencies by installing a vertical platform lift instead of an elevator or long ramp system.

Compact

Ramps require 12" horizontal travel for every 1" vertical travel. For example, a 36" rise would require a 36' ramp. In addition to taking up significant space, ramps can be fatiguing. A vertical platform lift saves space and is automatically powered.

Meets USA ADA Requirements

Vertical platform lifts are acknowledged in the Americans with Disabilities Act (ADA) Accessibility Guidelines as a means to provide public building access. Bruno VPLs are designed in accordance with ASME A18.1 section 2.

Design Assistance

Need help on specifying the right VPL configuration? Bruno's commercial VPL architect support professionals can help design the right solution for your project.

Email: commercialvpl@bruno.com. Phone: 800.848.3056

General Information

Finishes

Bruno's commercial VPL standard finish is electrostatically applied with a baked powder coat finish in champagne color. Platform and landing gate parts are E-coated for an extra level of protection from the outdoor elements.

Indoor / Outdoor

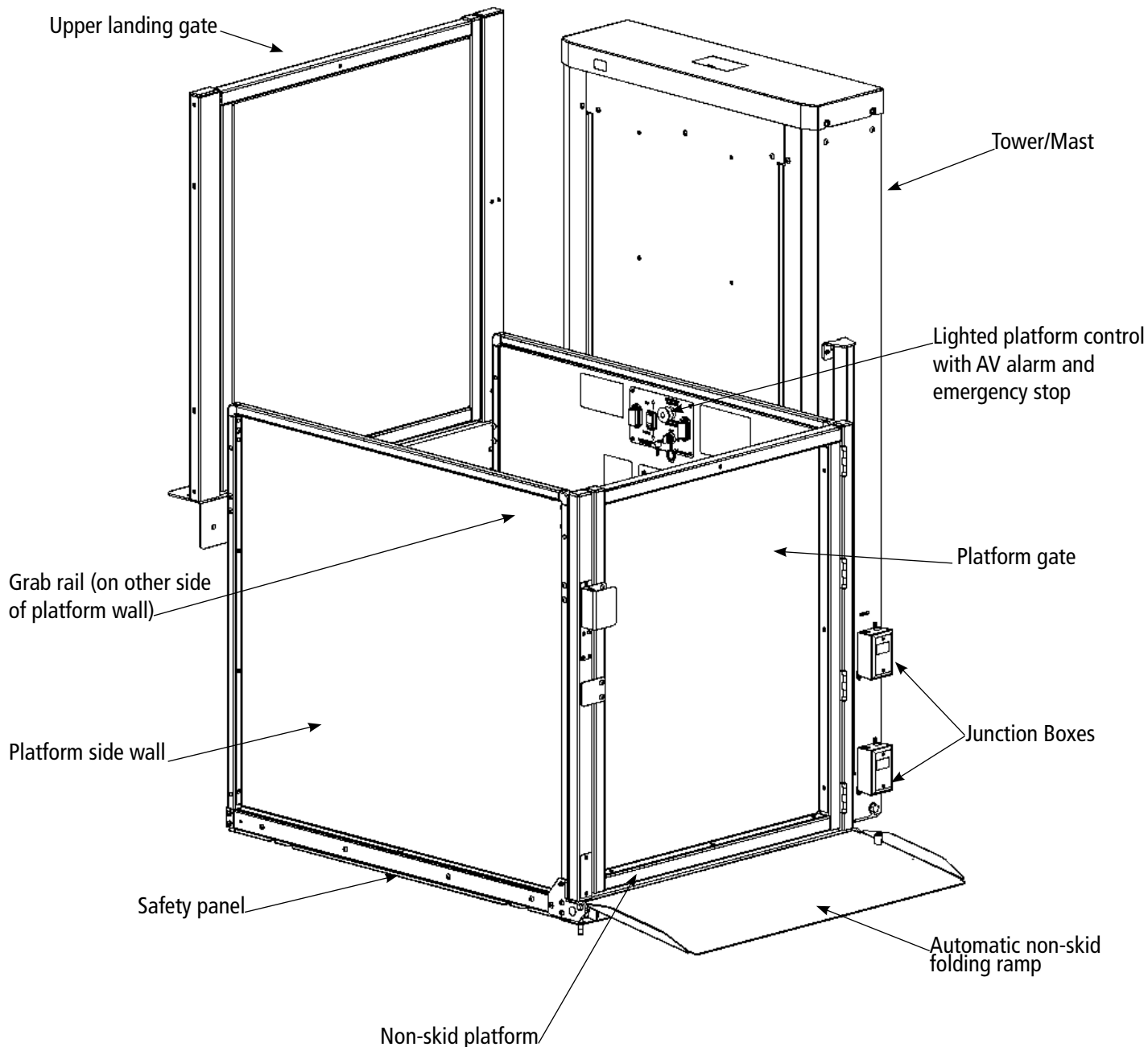
All Bruno VPLs are suitable for indoor and outdoor applications. Optional cold-weather package recommended if operating temperature is below 20° F/-7°C.

How It Works – Unenclosed

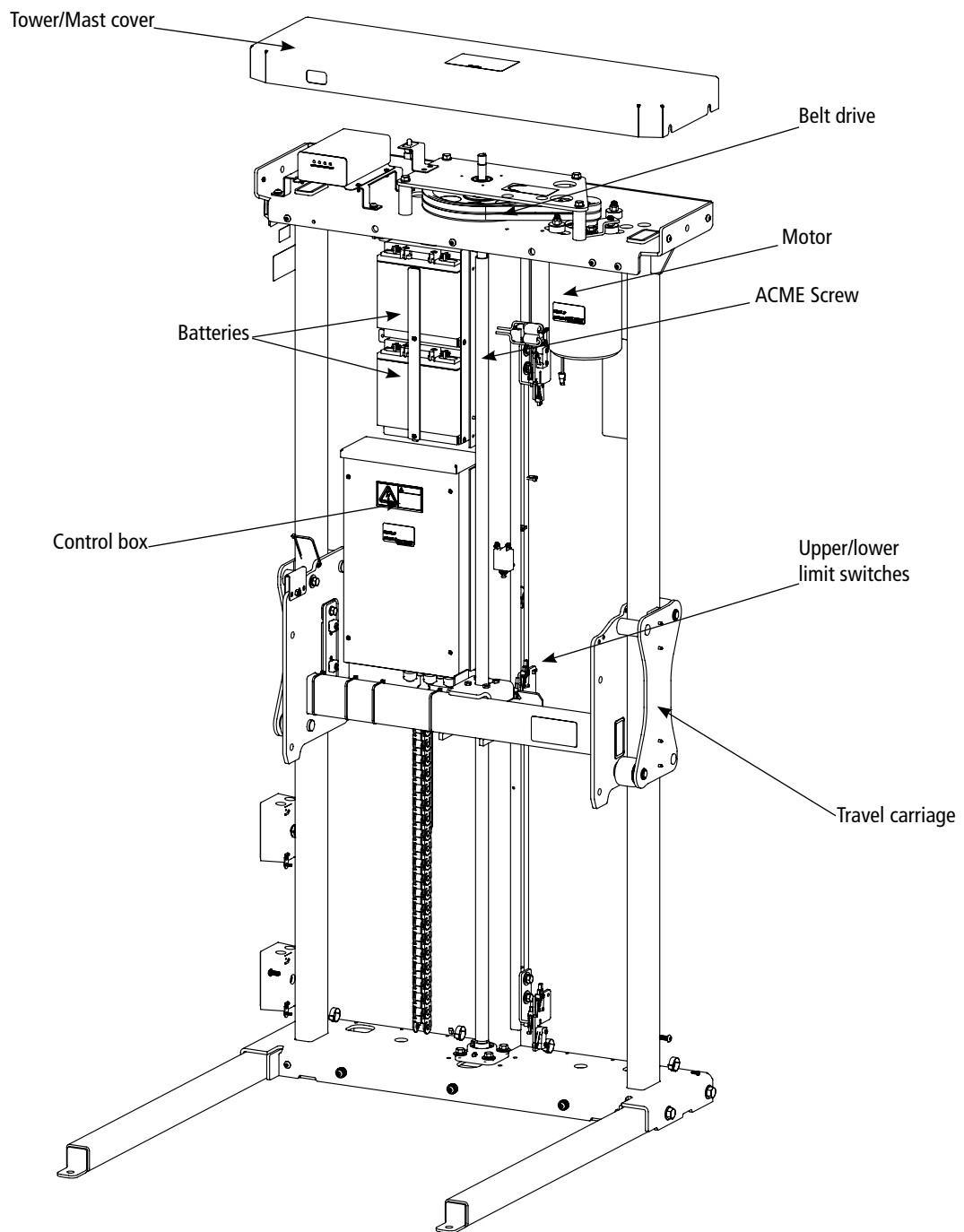
Access to short distances (up to 60"), such as stages or porches are common uses of Bruno's affordable unenclosed vertical platform lift. An unenclosed vertical platform lift is a practical choice for ADA compliance; however, verify that local codes allow

for an unenclosed wheelchair lift solution. All Bruno unenclosed VPLs feature Made In America quality, an ACME screw-driven system with full-time battery operation, and weather-protected controls for inside or outside applications.

Unenclosed key components



ACME Screw Drive System (image shown is a "low rise" model)



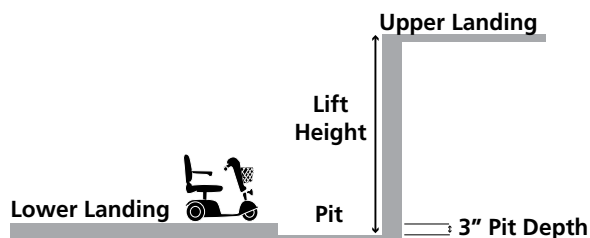
Power requirements: 120VAC, 3A, single phase, 60 Hz

Manual lowering tool: An optional manual hand crank is offered to lower the device. The manual lowering hand-wheel has a black plastic handle and slotted shape that engages a square key on the main screw drive.

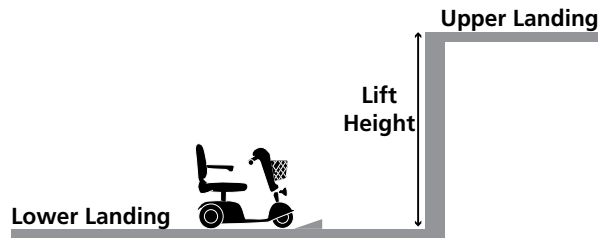
Lift Heights and Floor-to-Floor Measuring

Lift height is defined as the distance from the lower landing where the lift will be placed to the upper landing. The lift can be installed with or without a pit. In a pit installation, the measurement is from the bottom of the pit to the upper landing. For a floor installation, the measurement is from the floor to the upper landing.

Pit installation = Pit to floor distance



Floor installation = Floor to floor distance



Model selection is determined by floor-to-floor lift height, a critical measurement in designing a vertical platform lift. See below for a table to select the appropriate model based on lift height.

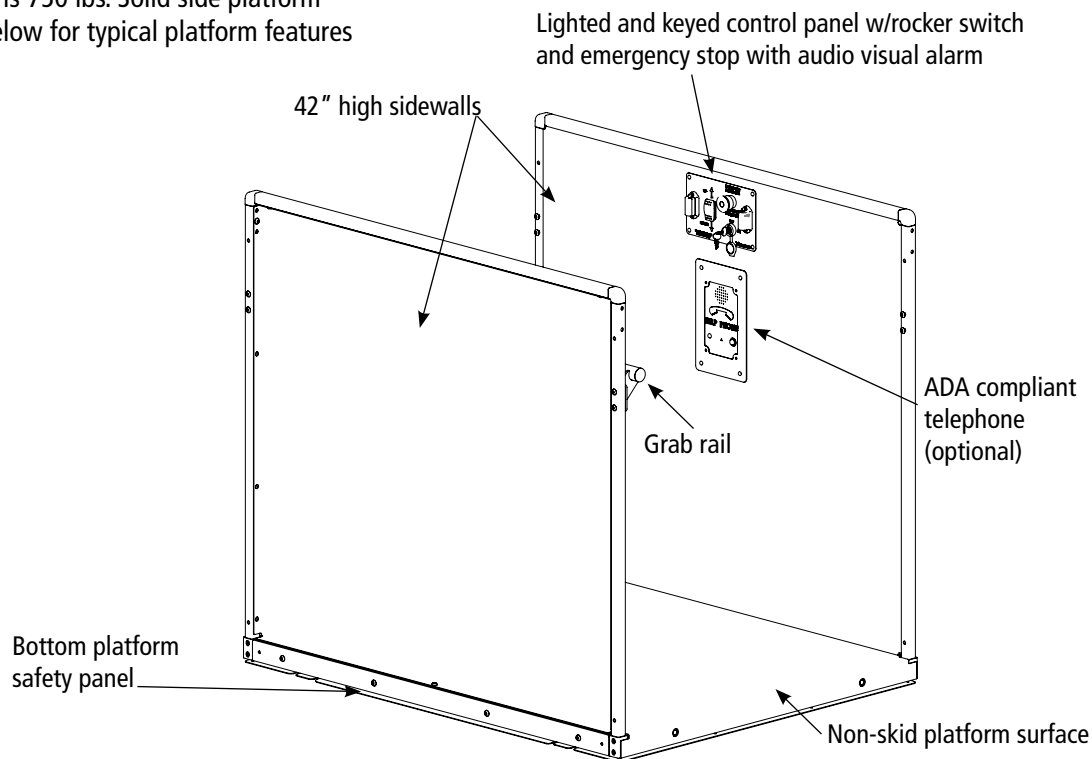
Unenclosed Measures				
Model	Max Floor-to-Floor	Min Floor-to-Floor	Mast Height	Unit Weight
VPL-3353B	53"	11"	75-9/16"	897 lb
VPL-3375B	60"	53"	97-9/16"	970 lb

Platforms

The rated load for the platform is 750 lbs. Solid side platform walls measure 42" high. See below for typical platform features and components.

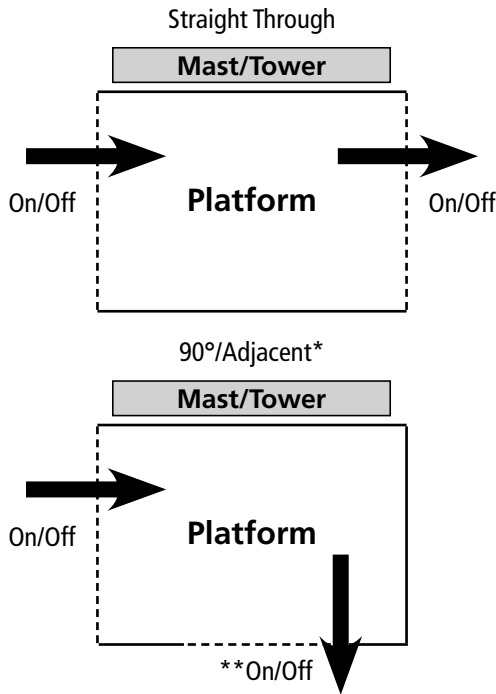
Platform Size Options:

- 36" x 54" – standard
- 36" x 48"
- 36" x 60"
- 42" x 60"



Platform Configurations

Unenclosed VPL platforms can be designed with different on/off configurations, either Straight Through (most common) or 90°/Adjacent. See images below.



Number of Landings: 2-stop (upper and lower) are available.
 *See note on page 10 if designing a 90°/adjacent platform.
 ** Upper landing only. Cannot enter/exit this side of platform at the lower landing.

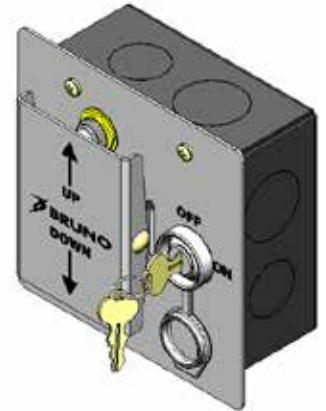
Operating Controls

Platform Controls: All Bruno VPL-3300B Series lifts come standard with a weather-protected, continuous pressure up and down rocker switch platform control. Optional paddle style control is available.

Call/Sends: Optional remote call/send controls come in rocker or paddle style and either flush or surface mount installation. Used on upper or lower landing.



Rocker / Surface mount



Paddle / Flush Mount

Upper Landing Controls: Optional upper landing gate controls are also available in both rocker or paddle style control.



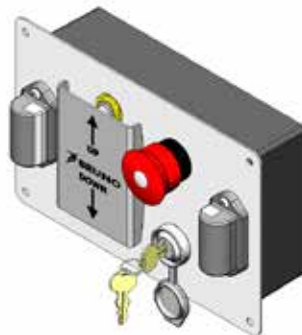
Rocker



Paddle



Rocker Switch Platform Control



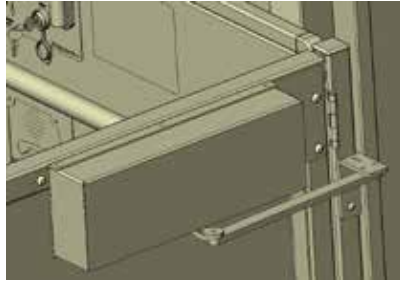
Paddle Platform Control

Additional Options

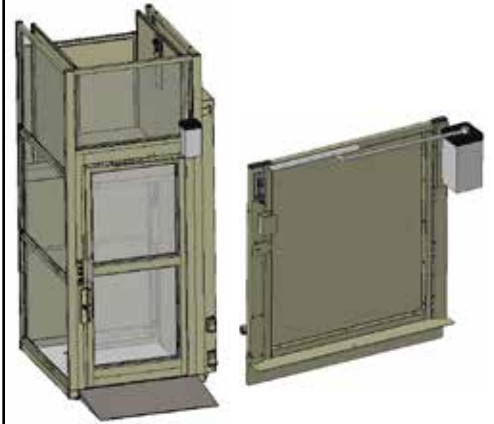
ADA Phone with Battery Backup



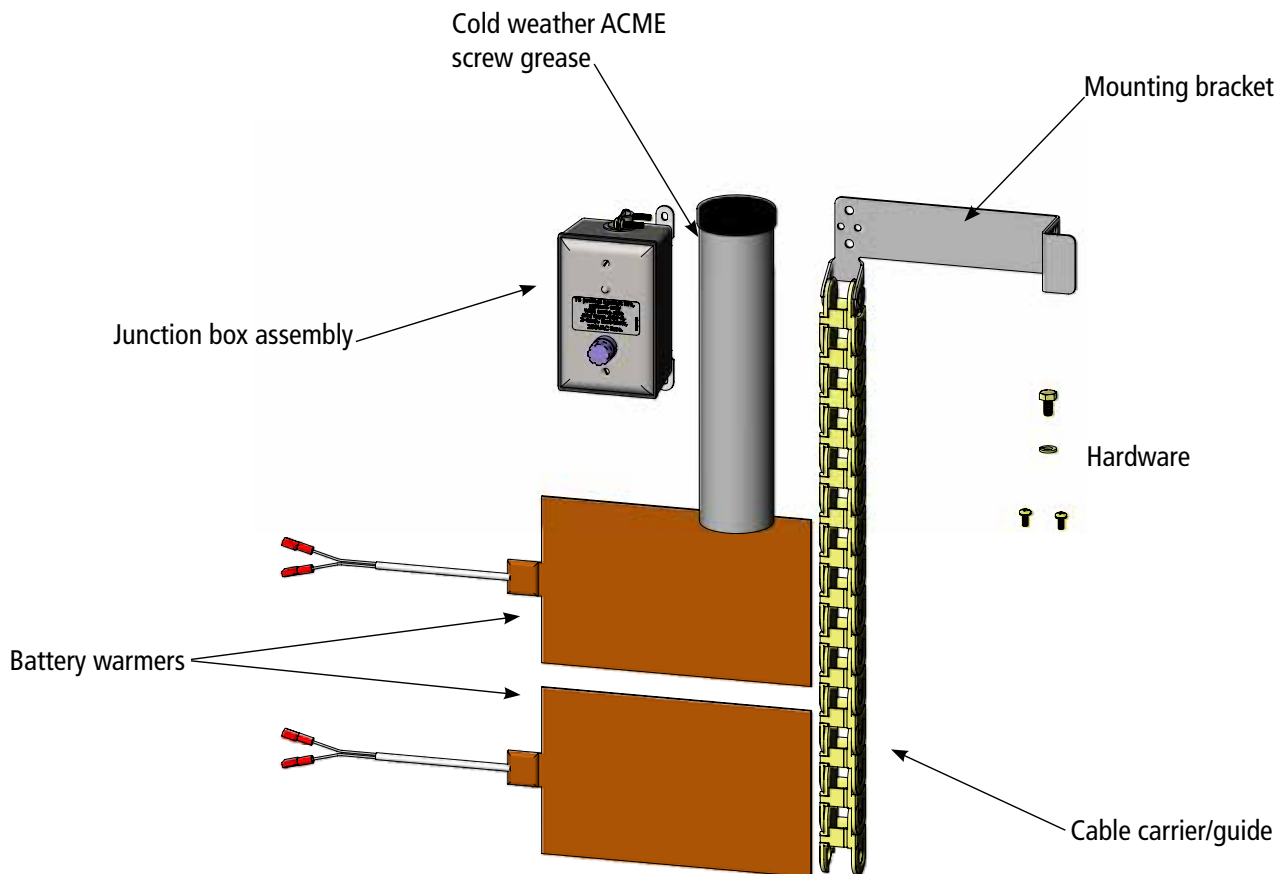
Platform Gate Operator



Doors and Upper Landing Gate Operator



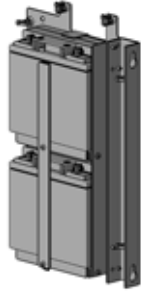
Cold weather package: recommended if operating temperature is below 20°F (-7°C)



Additional Options (cont.)

Battery Package Upgrade

34AH (upgrade package for VPL-3353B & VPL-3375B only)



34AH Batteries

Pit Switch

Mounts near the underside of the platform and ensures safety of someone working beneath the platform.



Flood Sensor

The flood sensor is used to detect water near the bottom of the VPL. The sensor can be mounted anywhere below the lower limit switches. When water is detected, the platform will stop moving in either up or down direction.



Bruno Doors and Gates

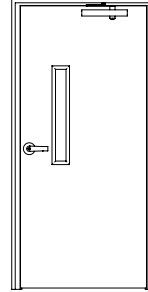
A door or a gate can be used at the upper landing for an Unenclosed VPL. Bruno offers multiple options.

A fire-safe steel door with window opening and steel frame is available in two sizes and comes equipped with an electric strike interlock system (ESI). Door has gray primer finish.

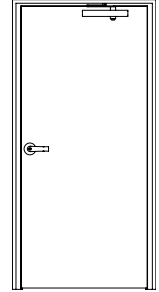
- 36" door (33" inside opening), 42" frame
- 46" door (43" inside opening), 52" frame

A non-fire-rated oak door, with a steel frame, is available in two sizes and comes equipped with an electric strike interlock system (ESI). Door is not finished (plain wood).

- 36" door (33" inside opening), 42" frame
- 46" door (43" inside opening), 52" frame



Steel door



Oak door

The aluminum door is non-fire rated and features a framed door with Plexiglas panels. It is equipped with an electric strike interlock system (ESI) and comes pre-hung in an aluminum frame. Door is painted champagne color. The height of the door is 80" and is available in two widths:

- 36" door (33-3/8" inside opening), 42" frame
- 45" door (42-3/8" inside opening), 51" frame

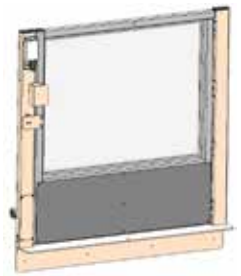


Optional upper landing gate includes Bruno electrical mechanical interlock (EMI) or optional electric strike interlock (ESI) which releases the gate when platform is at the upper landing. Electronic sensors stop the platform from operating unless the gate is closed. Rocker switch upper landing control comes mounted to the gate. Paddle switch and/or remote mount are optional. Available with steel or Plexiglas panels in two sizes:

- 36" W x 42" H
- 42" W x 42" H



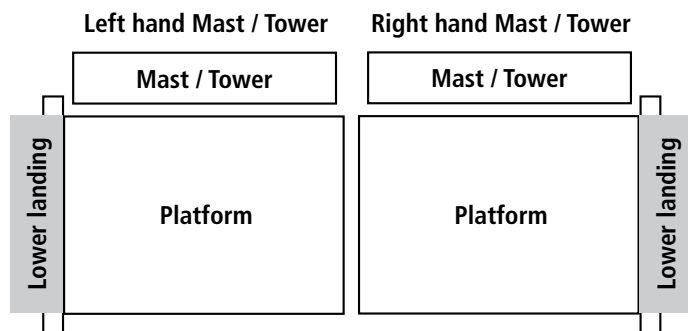
Steel panel, rocker switch



Plexiglas panel, paddle control

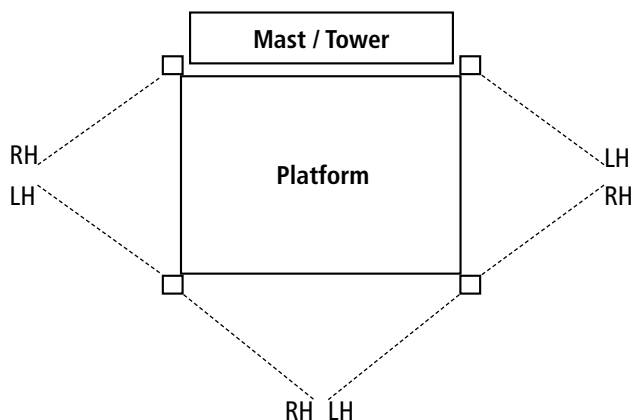
Hand of Mast / Tower

Hand of mast / tower is determined by the side the mast / tower is on when entering the lift at the lower landing. See below.



Gate and Door Swing Direction

Identify gate or door swing based on the direction the gate or door opens from the platform (see drawing below). For example, if a user's back is to the hinge and the right arm would be used to open the door or gate, it would require a right-hand swing.



Please note the following for most 90° / Adjacent Platforms:

- Left hand mast / tower requires right hand upper landing gate with EMI interlock.
- Right hand mast / tower requires left hand upper landing gate with EMI interlock.
- If this configuration cannot be achieved due to any design or structure requirements, an upper landing gate with an ESI lock can be used and this requirement will not apply.

Site Construction Details

Electrical Requirements:

Check applicable local codes for all electrical and wiring requirements. If it is determined that a GFI (Ground Fault Interrupter) outlet is required, use a GFI 120V, 15A, 60 Hz single phase circuit to operate the internal battery charger (charger draws 3A max.). National Electrical Code requires a GFI is used in all outdoor or wet environment applications.

Platform Pathway Requirements:

Ensure the platform pathway is clear of any electrical conduit and wire ways; no liquids, steam or gas piping discharge into the pathway; and there is sufficient headroom clearance (minimum of 80" – 2032 mm) throughout floor-to-floor travel. The area should also be sufficiently lit.

Floor Recommendations:

A 4" (102 mm) thick, 3500 PSI minimum compressive strength, reinforced concrete slab is recommended. Refer to technical drawings for minimum slab dimensions. If the temperature can fall below freezing, it is recommended that you insert an insulation sheet between the concrete slab and the compacted rock.

Floor Attachment:

VPL must be fastened to concrete slab using four (4) 1/2" (3/8" bolt) x minimum 2-1/2" long concrete anchors suitable for the environment. Refer to technical drawings for mounting hole locations. Follow selected concrete anchor manufacturer's guidelines and applicable codes.

Housing Attachment:

None required. Consider using 5/16-18 tapped holes on tower frame work to fasten the tower housing to a vertical wall for additional stability. Note: Housing must remain intact.

Top Landing Gate Attachment:

Refer to landing gate detail on pages 23-26.

Space Requirements:

Refer to application specific drawings starting on page 11.

Platform-to-Top Landing Sill Clearance:

ASME code indicates the platform floor-to-sill clearance at the upper landing shall not be less than 3/8" (9.5 mm) nor exceed 3/4" (19 mm). Follow applicable local codes.

Fascia Wall Requirements:

ASME code indicates that fascia should be smooth and/or non-perforated that guards the full length and width of the platform. The fascia shall be securely fastened from the upper landing sill down to the lower landing sill. It should also be able to withstand a 125-pound side load over any 4-inch square area. Follow applicable local codes.

Application Specific Drawings

bruno.com/cvpl | 1-800-848-3056
ILS-01102 - Rev. 3 • Sheet 1 of 3

Unenclosed Platform with platform gate (VPL-3300B) Straight through, no pit

Technical Data/Specifications

Rated load

- 750 lbs max

Input power source

- DC battery powered unit: 110-120 volt - 3 Amp 60 Hz battery charger

Drive

- DC battery powered unit: 1/2 hp motor, 1750 rpm, 24 VDC, continuous duty
Intermediate reduction: Dual 4L style Poly-V belts and pulleys, 3.94:1 pulley reduction
Final drive: 1" dia. ACME screw w/bronze nut and bronze safety back up nut

Motor controller

- DC battery powered unit: 24 VDC relay control

Speed

- DC battery powered unit: 10 ft per minute maximum

For complete technical specifications, please see ILS-01100 "VPL-3300B Series Commercial Vertical Platform Lift Technical Specification."

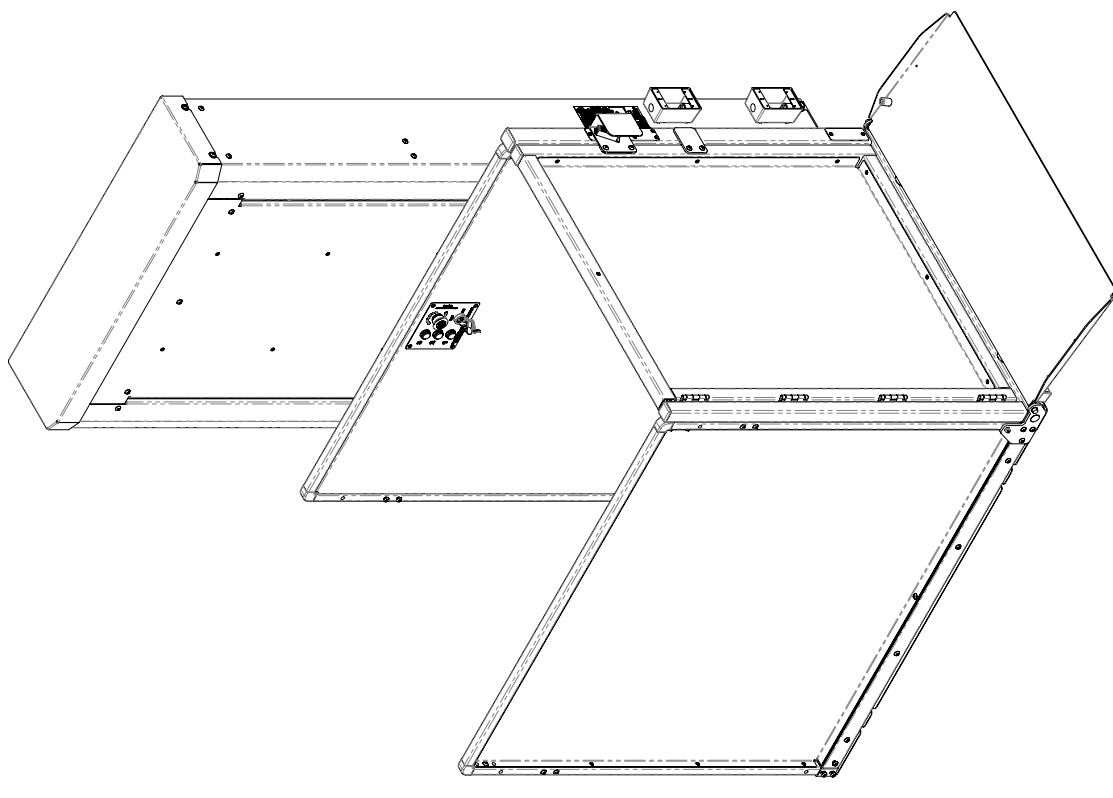
Performance Standards

USA Food & Drug Administration: Class II, 510(K) Exempt, File No. 890.3930 Product Code: PCE

ASME A18.1 (Section 2) Safety Standards for Platform Lifts and Stairway Chairlifts

CSA B355 Lifts for Persons with Physical Disabilities

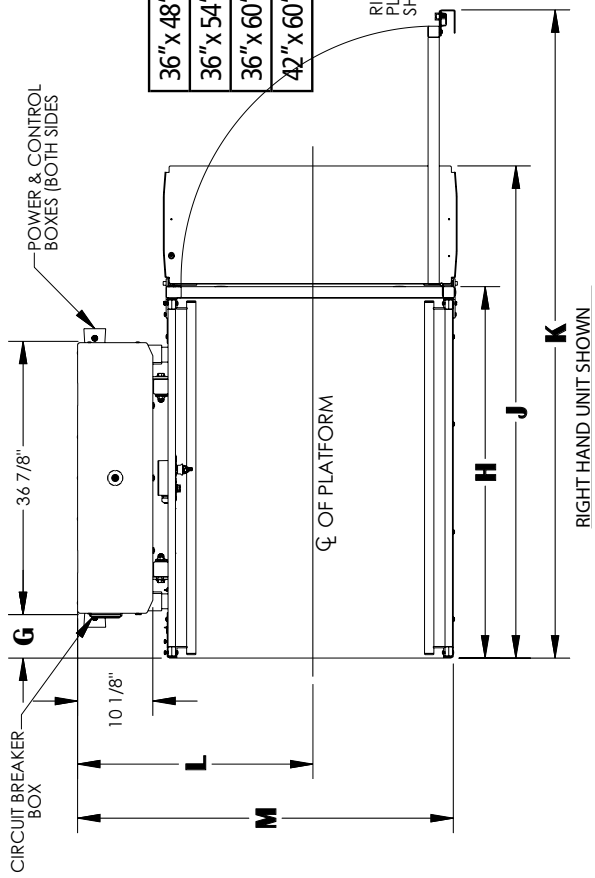
CSA B44.1/ASME A17.5 Elevator and Escalator Equipment



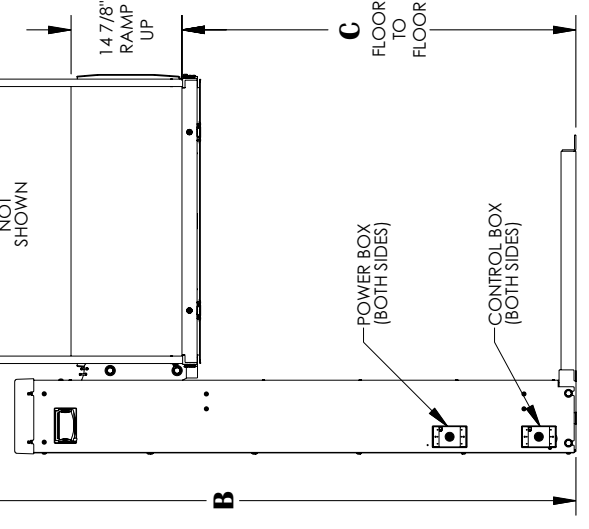
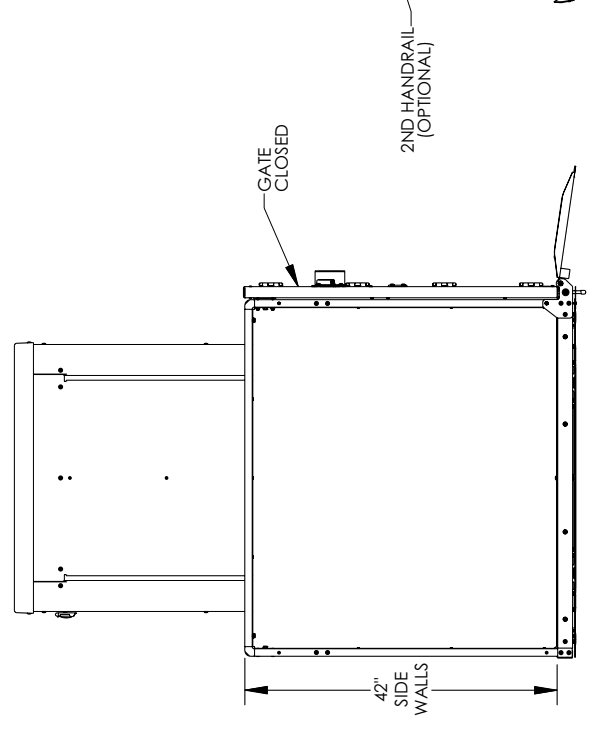
Unenclosed Platform with platform gate (VPL-3300B) Straight through, no pit

	A	B	C MIN	C MAX
VPL-3353B	75-9/16"	95"	11"	53"
VPL-3375B	97-9/16"	117"	32"	60"

	D	E	F	G	H	J	K	L	M
36" x 48" Platform	36-1/4"	33-1/2"	30-3/4"	5-3/4"	49-15/16"	66-1/8"	87-3/16"	31-9/16"	50-13/16"
36" x 54" Platform	36-1/4"	33-1/2"	30-3/4"	8-3/4"	55-15/16"	72-1/8"	93-3/16"	31-9/16"	50-13/16"
36" x 60" Platform	36-1/4"	33-1/2"	30-3/4"	11-3/4"	61-15/16"	78-1/8"	99-3/16"	31-9/16"	50-13/16"
42" x 60" Platform	42-1/4"	39-1/2"	36-3/4"	11-3/4"	61-15/16"	78-1/8"	105-3/16"	34-9/16"	56-13/16"



RIGHT SWING PLATFORM GATE SHOWN OPEN
RIGHT & LEFT SWING PLATFORM GATES AVAILABLE



Anchor point locations/slab detail Unenclosed Platform with platform gate (VPL-3300B) Straight through, no pit

Technical Data/Specifications

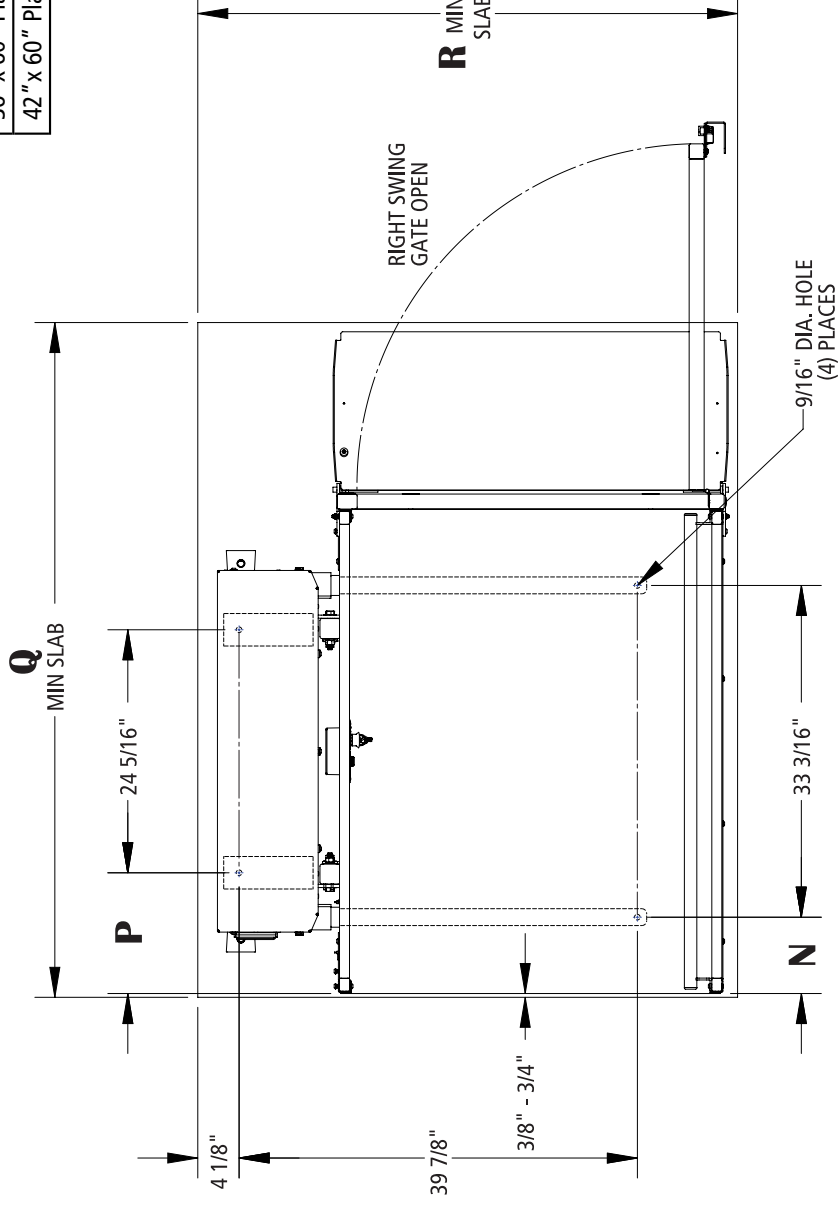
Floor Attachment

VPL must be fastened to concrete slab using four (4) 1/2" (3/8" bolt) x minimum 2-1/2" long concrete anchors suitable for the environment. Follow selected concrete anchor manufacturers guidelines and applicable codes.

Floor Requirements

4" thick 3500 PSI minimum compressive strength, reinforced concrete slab

	N	P	Q	R
36" x 48" Platform	7-5/8"	12-1/16"	67-1/2"	54"
36" x 54" Platform	10-5/8"	15-1/16"	73-1/2"	54"
36" x 60" Platform	13-5/8"	18-1/16"	79-1/2"	54"
42" x 60" Platform	13-5/8"	18-1/16"	79-1/2"	60"



Application Specific Drawings

Unenclosed Platform with platform gate (VPL-3300B) Straight through, with pit

bruno.com/cvpl | 1-800-848-3056
ILS-01103 - Rev. 3 • Sheet 1 of 3

Technical Data/Specifications

Rated load

- 750 lbs max

Input power source

- DC battery powered unit: 110-120 volt - 3 Amp 60 Hz battery charger

Drive

- DC battery powered unit: 1/2 hp motor, 1750 rpm, 24 VDC, continuous duty
Intermediate reduction: Dual 4L style Poly-V belts and pulleys, 3.94:1 pulley reduction
Final drive: 1" dia. ACME screw w/bronze nut and bronze safety back up nut

Motor controller

- DC battery powered unit: 24 VDC relay control

Speed

- DC battery powered unit: 10 ft per minute maximum

For complete technical specifications, please see ILS-01100 "VPL-3300B Series Commercial Vertical Platform Lift Technical Specification."

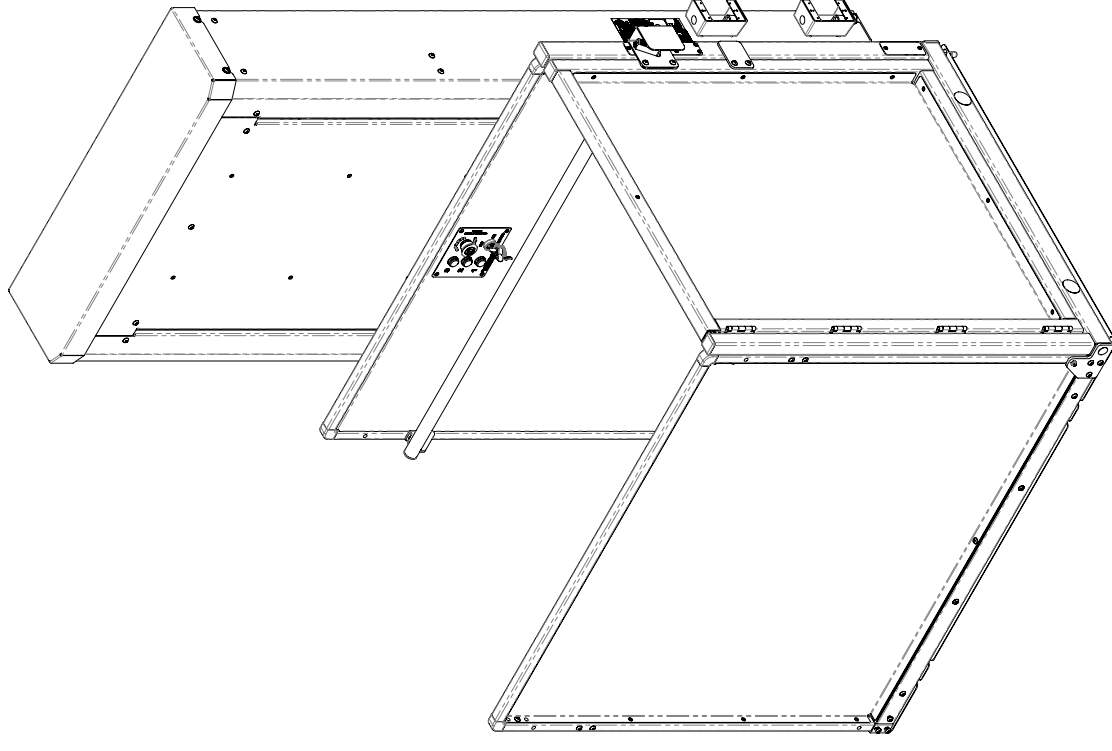
Performance Standards

USA Food & Drug Administration: Class II, 510(K) Exempt, File No. 890.3930 Product Code: PCE

ASME A18.1-2014 (Section 2) Safety Standards for Platform Lifts and Stairway Chairlifts

CSA B355-15 Lifts for Persons with Physical Disabilities

CSA B44.1-14/ASME-A17.5-2014 Elevator and Escalator Equipment

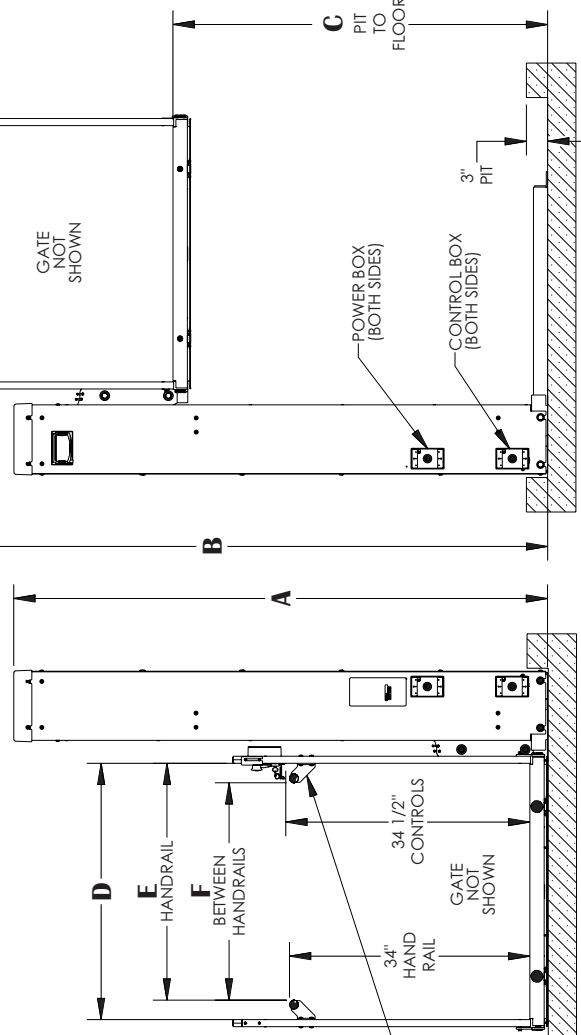
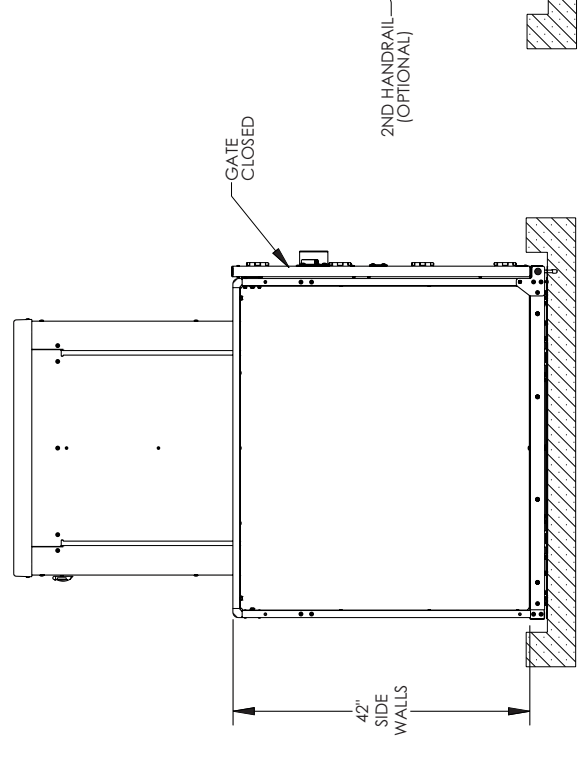
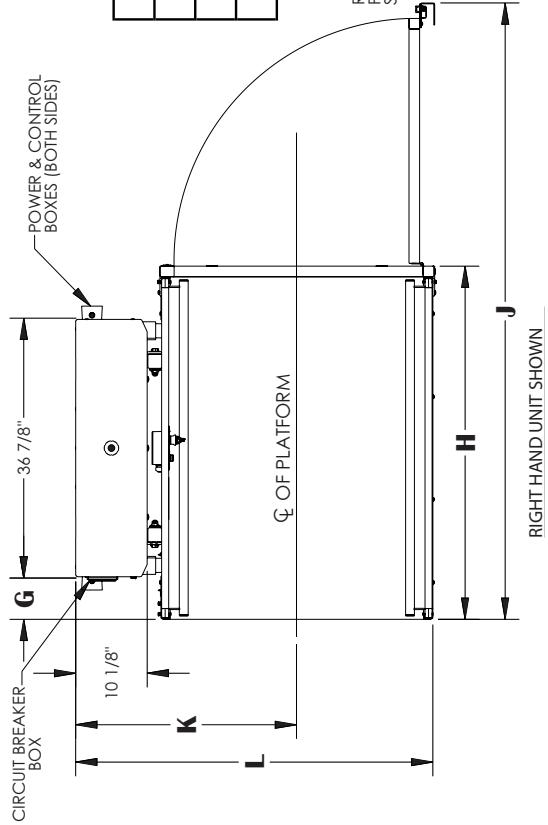


Unenclosed Platform with platform gate (VPL-3300B) Straight through, with pit

bruno.com/cvpl | 1-800-848-3056
ILS-01103 - Rev. 3 • Sheet 2 of 3

	A	B	C MIN	C MAX
VPL-3353B	75-9/16"	95"	11"	53"
VPL-3175B	97-9/16"	117"	32"	60"

	D	E	F	G	H	J	K	L
36" x 48" Platform	36-1/4"	33-1/2"	30-3/4"	5-3/4"	49-15/16"	87-3/16"	31-9/16"	50-13/16"
36" x 54" Platform	36-1/4"	33-1/2"	30-3/4"	8-3/4"	55-15/16"	93-3/16"	31-9/16"	50-13/16"
36" x 60" Platform	36-1/4"	33-1/2"	30-3/4"	11-3/4"	61-15/16"	99-3/16"	31-9/16"	50-13/16"
42" x 60" Platform	42-1/4"	39-1/2"	36-3/4"	11-3/4"	61-15/16"	105-3/16"	34-9/16"	56-13/16"



Anchor point locations/slab detail Unenclosed Platform with platform gate (VPL-3300B) Straight through, with pit

Technical Data/Specifications

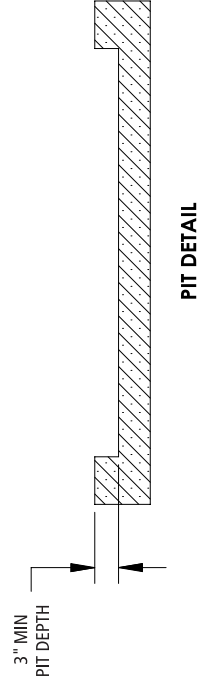
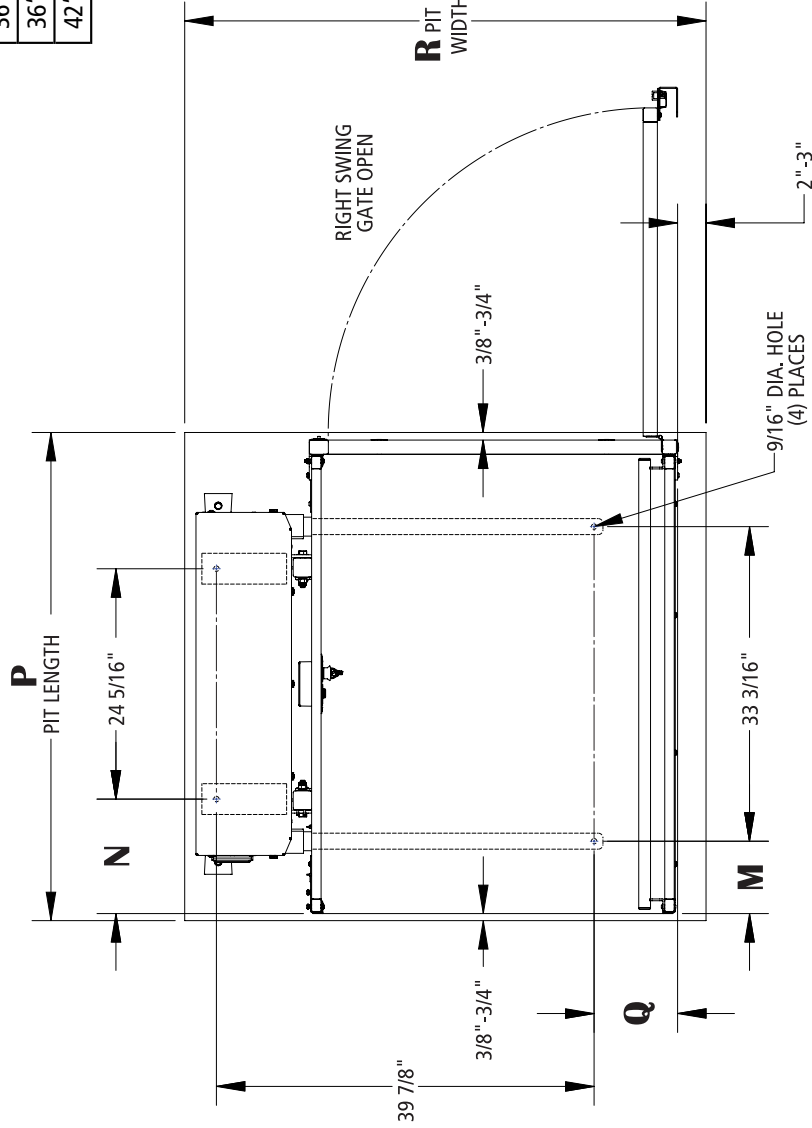
Floor Attachment

VPL must be fastened to concrete slab using four (4) 1/2" (3/8" bolt) x minimum 2-1/2" long concrete anchors suitable for the environment. Follow selected concrete anchor manufactures guidelines and applicable codes.

Floor Requirements

4" thick 3500 PSI minimum compressive strength, reinforced concrete slab

	M	N	P	Q	R
36" x 48" Platform	7-5/8"	12-1/16"	50-3/4" - 51-1/2"	9"	54" - 55"
36" x 54" Platform	10-5/8"	15-1/16"	56-3/4" - 57-1/2"	9"	54" - 55"
36" x 60" Platform	13-5/8"	18-1/16"	62-3/4" - 63-1/2"	9"	54" - 55"
42" x 60" Platform	13-5/8"	18-1/16"	62-3/4" - 63-1/2"	15"	60" - 61"



UNITS WITH STRAIGHT THROUGH PLATFORM WITH PLATFORM GATE
(PIT APPLICATION)

Application Specific Drawings

bruno.com/cvpl | 1-800-848-3056
ILS-01104 - Rev. 3 • Sheet 1 of 3

Unenclosed 90/Adjacent Platform with platform gate (VPL-3300B), no pit

Technical Data/Specifications

Rated load

- 750 lbs max

Input power source

- DC battery powered unit: 110-120 volt - 3 Amp 60 Hz battery charger

Drive

- DC battery powered unit: 1/2 hp motor, 1750 rpm, 24 VDC, continuous duty
Intermediate reduction: Dual 4L style Poly-V belts and pulleys, 3.94:1 pulley reduction
Final drive: 1" dia. ACME screw w/bronze nut and bronze safety back up nut

Motor controller

- DC battery powered unit: 24 VDC relay control

Speed

- DC battery powered unit: 10 ft per minute maximum

For complete technical specifications, please see ILS-01100 "VPL-3300B Series Commercial Vertical Platform Lift Technical Specification."

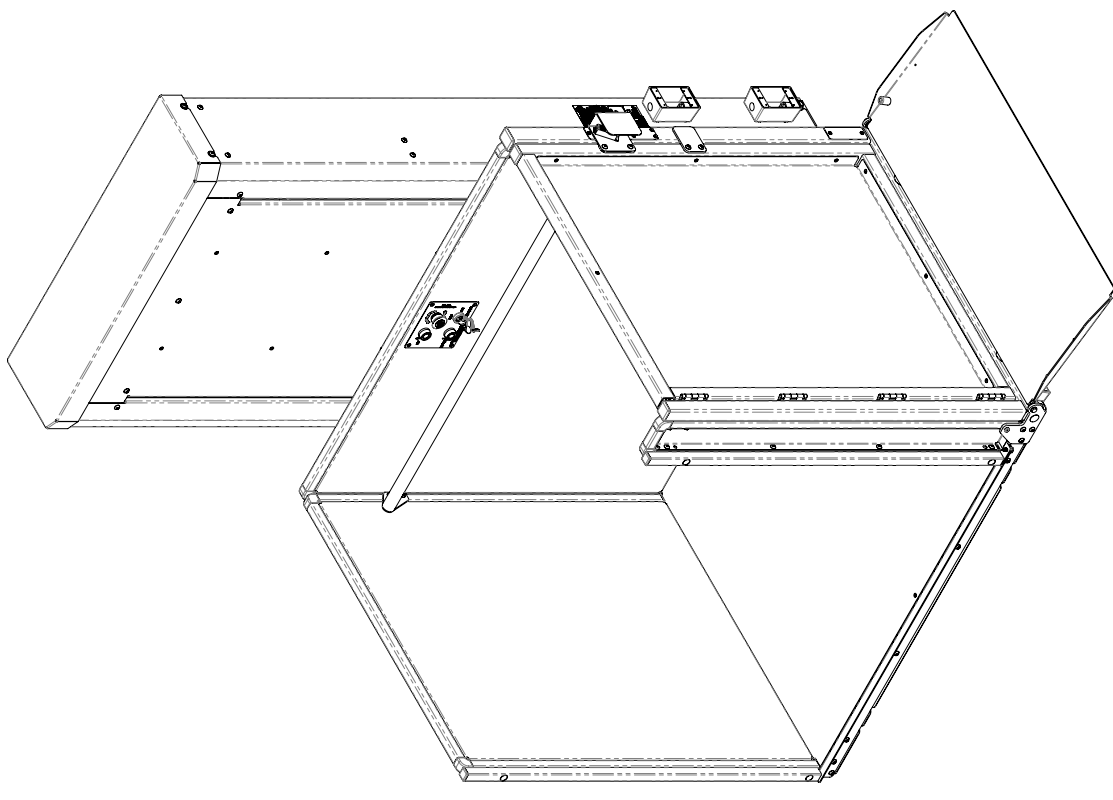
Performance Standards

USA Food & Drug Administration: Class II, 510(K) Exempt, File No. 890.3930 Product Code: PCE

ASME A18.1 (Section 2) Safety Standards for Platform Lifts and Stairway Chairlifts

CSA B355 Lifts for Persons with Physical Disabilities

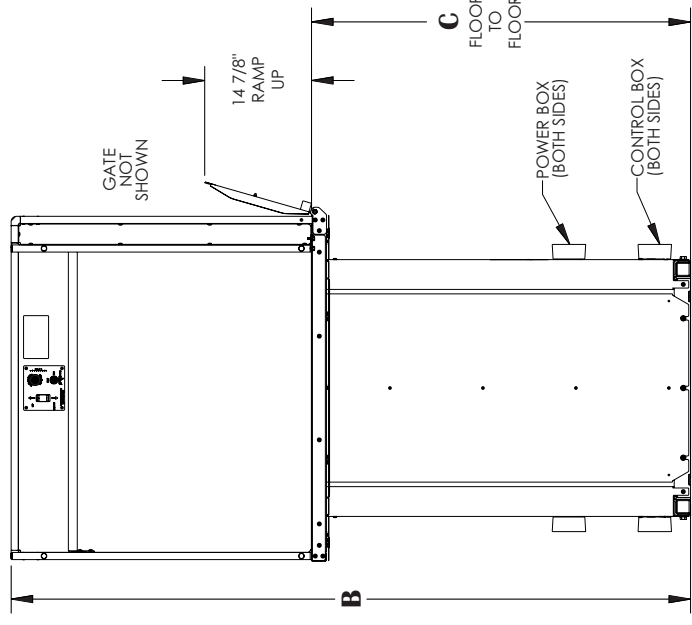
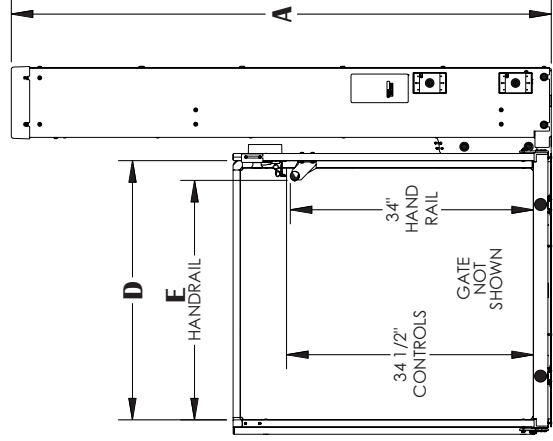
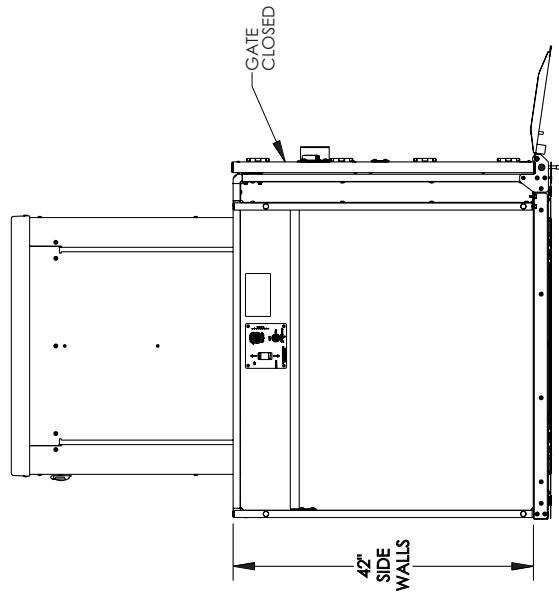
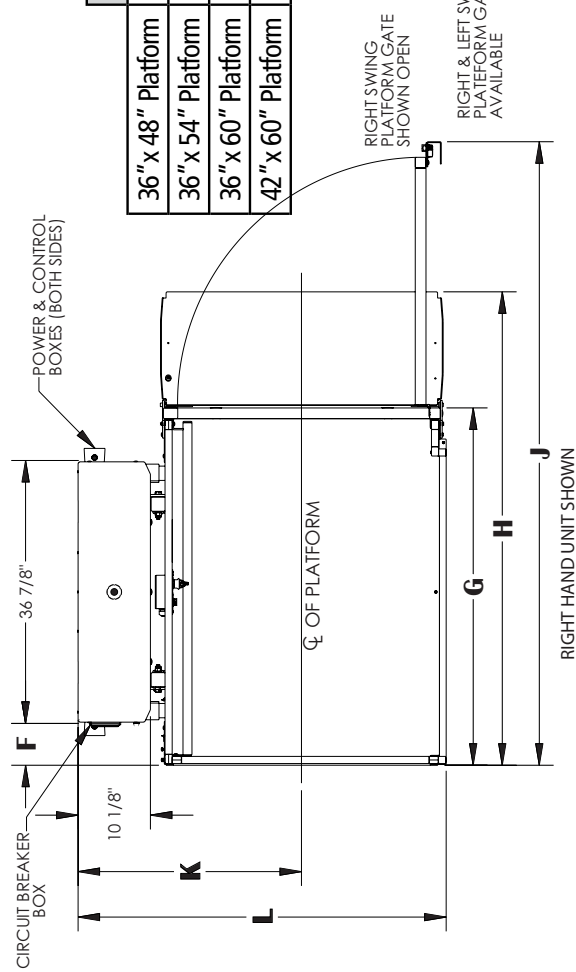
CSA B44.1/ASME A17.5 Elevator and Escalator Equipment



Unenclosed 90/Adjacent Platform with platform gate (VPL-3300B), no pit

	A	B	C MIN	C MAX
VPL-3353B	75-9/16"	95"	11"	53"
VPL-3375B	97-9/16"	117"	32"	60"

	D	E	F	G	H	J	K	L
36" x 48" Platform	36-1/4"	33-1/2"	5-3/4"	49-15/16"	66-1/8"	87-3/16"	31-9/16"	51-11/16"
36" x 54" Platform	36-1/4"	33-1/2"	8-3/4"	55-15/16"	72-1/8"	93-3/16"	31-9/16"	51-11/16"
36" x 60" Platform	36-1/4"	33-1/2"	11-3/4"	61-15/16"	78-1/8"	99-3/16"	31-9/16"	51-11/16"
42" x 60" Platform	42-1/4"	39-1/2"	11-3/4"	61-15/16"	78-1/8"	105-3/16"	34-9/16"	57-11/16"



Anchor point locations/slab detail Unenclosed 90°/Adjacent Platform with platform gate (VPL-3300B), no pit

Technical Data/Specifications

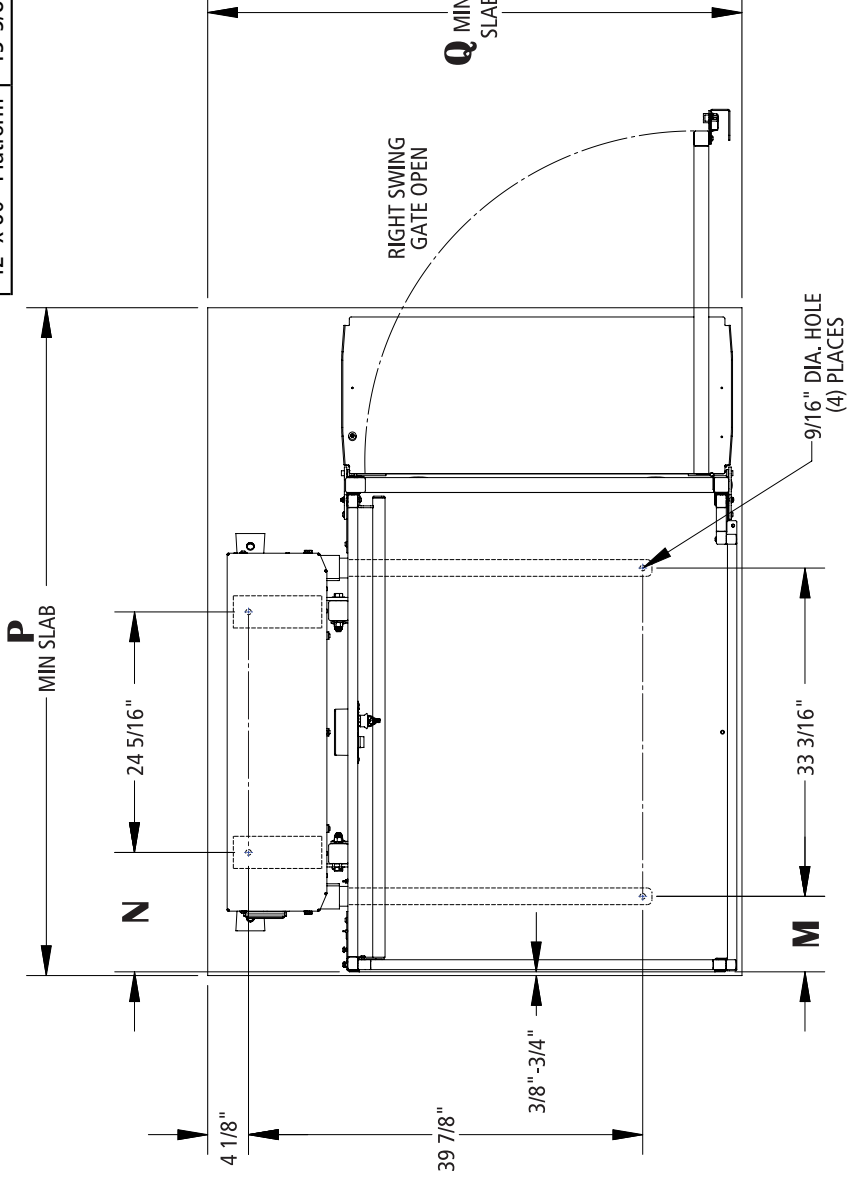
Floor Attachment

VPL must be fastened to concrete slab using four (4) 1/2" (3/8" bolt) x minimum 2-1/2" long concrete anchors suitable for the environment. Follow selected concrete anchor manufactures guidelines and applicable codes.

Floor Requirements

4" thick 3500 PSI minimum compressive strength, reinforced concrete slab

	M	N	P	Q
36" x 48" Platform	7-5/8"	12-1/16"	67-1/2"	54"
36" x 54" Platform	10-5/8"	15-1/16"	73-1/2"	54"
36" x 60" Platform	13-5/8"	18-1/16"	79-1/2"	54"
42" x 60" Platform	13-5/8"	18-1/16"	79-1/2"	60"



UNITS WITH 90° /ADJACENT EXIT PLATFORM WITH PLATFORM GATE

Application Specific Drawings

Unenclosed 90/Adjacent Platform with platform gate (VPL-3300B), with pit

bruno.com/cvpl | 1-800-848-3056
 ILS-01105 - Rev. 3 • Sheet 1 of 3

Technical Data/Specifications

Rated load

- 750 lbs max

Input power source

- DC battery powered unit: 110-120 volt - 3 Amp 60 Hz battery charger

Drive

- DC battery powered unit: 1/2 hp motor, 1750 rpm, 24 VDC, continuous duty
 Intermediate reduction: Dual 4L style Poly-V belts and pulleys, 3.94:1 pulley reduction
 Final drive: 1" dia. ACME screw w/bronze nut and bronze safety back up nut

Motor controller

- DC battery powered unit: 24 VDC relay control

Speed

- DC battery powered unit: 10 ft per minute maximum

For complete technical specifications, please see ILS-01100 "VPL-3300B Series Commercial Vertical Platform Lift Technical Specification."

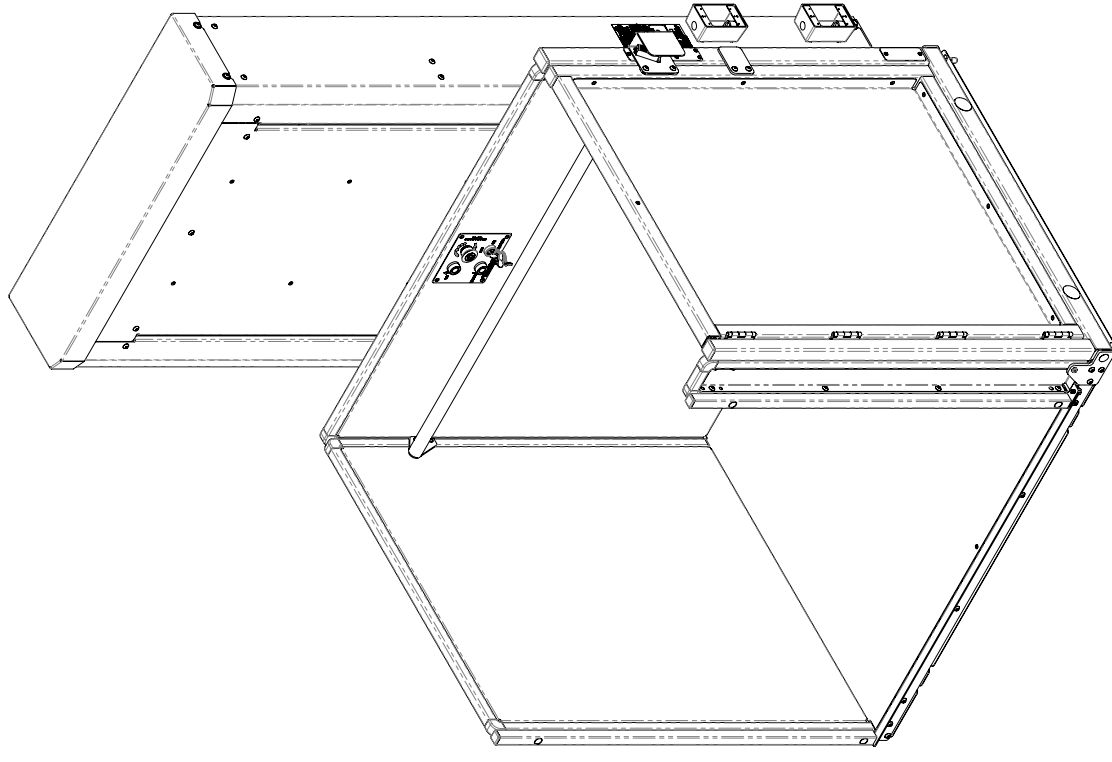
Performance Standards

USA Food & Drug Administration: Class II, 510(K) Exempt, File No. 890.3930 Product Code: PCE

ASME A18.1 (Section 2) Safety Standards for Platform Lifts and Stairway Chairlifts

CSA B355 Lifts for Persons with Physical Disabilities

CSA B44.1/ASME A17.5 Elevator and Escalator Equipment

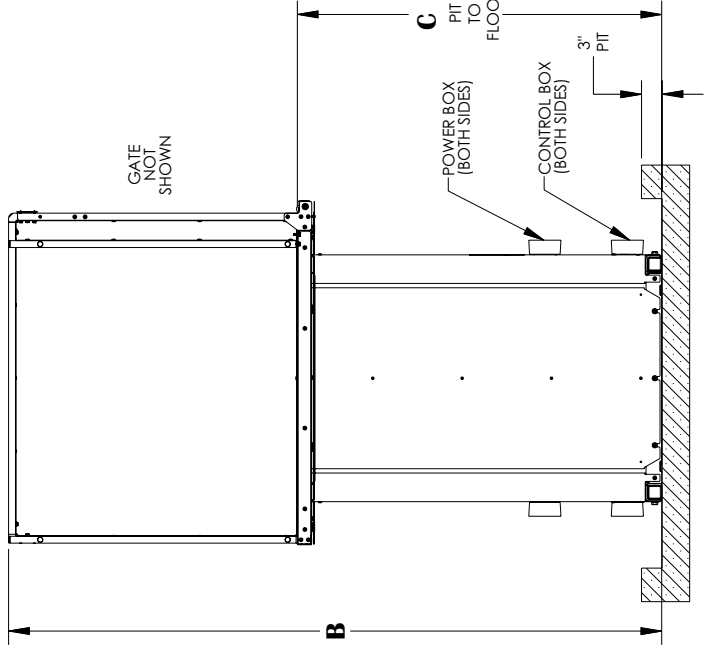
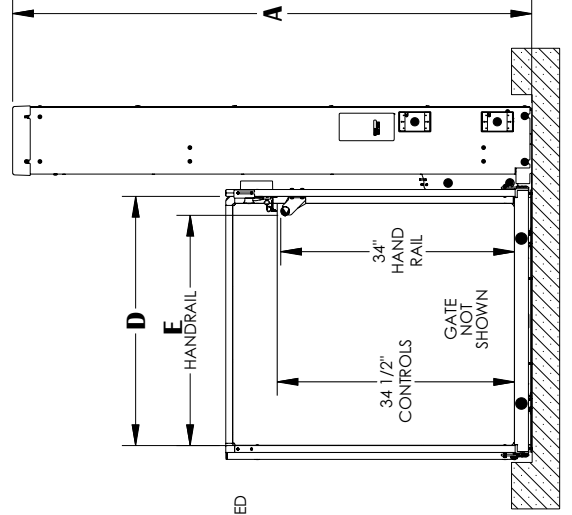
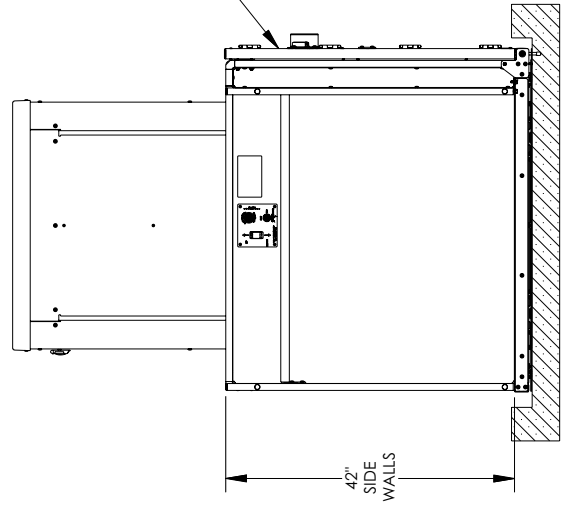
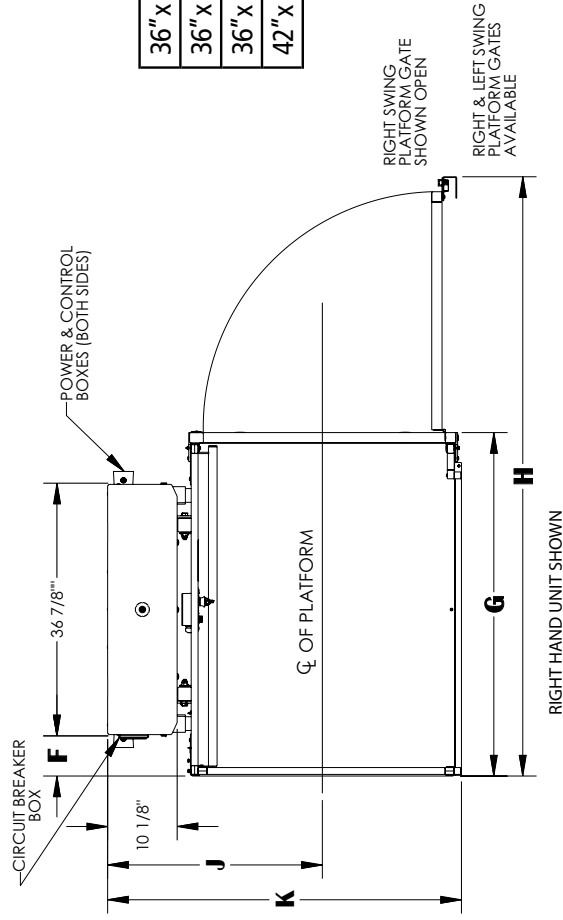


Unenclosed 90/Adjacent Platform with platform gate (VPL-3300B), with pit

bruno.com/cvpl | 1-800-848-3056
ILS-01105 - Rev. 3 • Sheet 2 of 3

	A	B	C MIN	C MAX
VPL-3353B	75-9/16"	95"	11"	53"
VPL-3375B	97-9/16"	117"	32"	60"

	D	E	F	G	H	J	K
36" x 48" Platform	36-1/4"	33-1/2"	5-3/4"	49-15/16"	87-3/16"	31-9/16"	51-11/16"
36" x 54" Platform	36-1/4"	33-1/2"	8-3/4"	55-15/16"	93-3/16"	31-9/16"	51-11/16"
36" x 60" Platform	36-1/4"	33-1/2"	11-3/4"	61-15/16"	99-3/16"	31-9/16"	51-11/16"
42" x 60" Platform	42-1/4"	39-1/2"	11-3/4"	61-15/16"	105-3/16"	34-9/16"	57-11/16"



Anchor point locations/slab detail Unenclosed 90°/Adjacent Platform with platform gate (VPL-3300B), with pit

Technical Data/Specifications

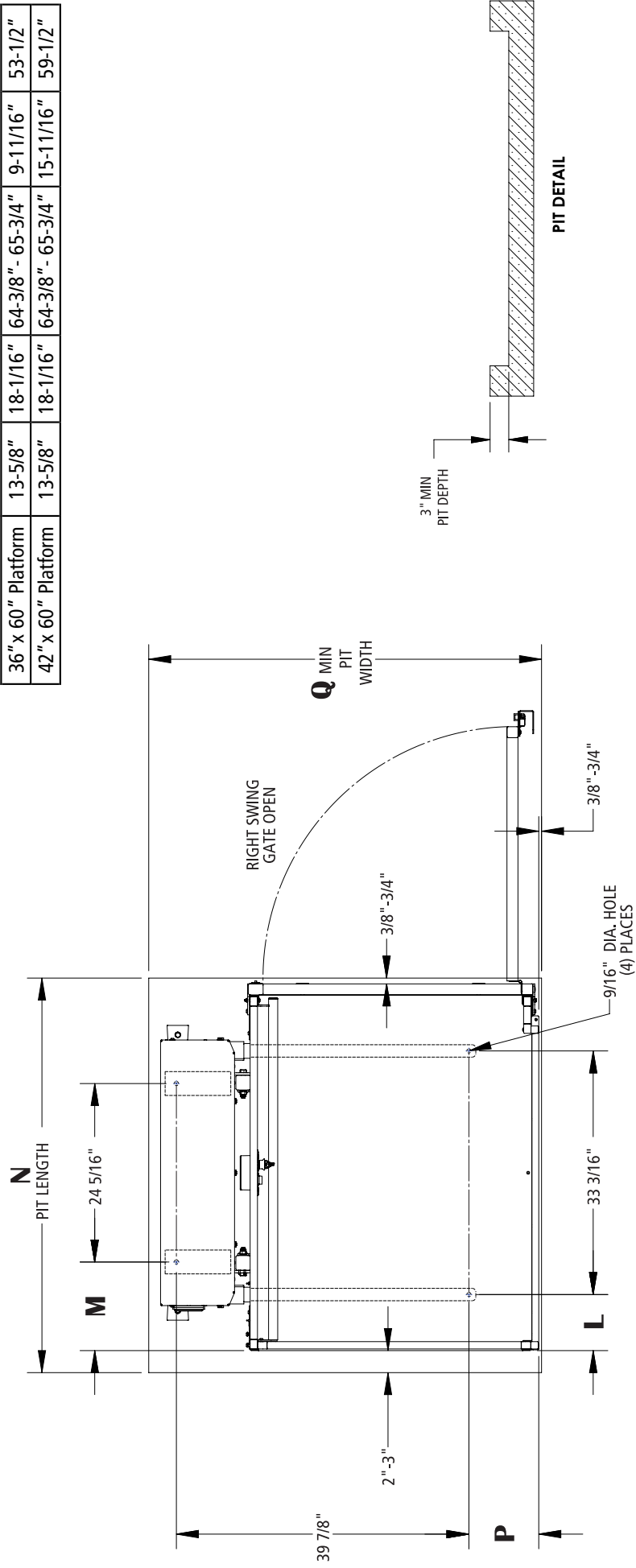
Floor Attachment

VPL must be fastened to concrete slab using four (4) 1/2" (3/8" bolt) x minimum 2-1/2" long concrete anchors suitable for the environment. Follow selected concrete anchor manufactures guidelines and applicable codes.

Floor Requirements

4" thick 3500 PSI minimum compressive strength, reinforced concrete slab

	L	M	N	P	Q
36" x 48" Platform	7-5/8"	12-1/16"	52-3/8" - 53-3/4"	9-11/16"	53-1/2"
36" x 54" Platform	10-5/8"	15-1/16"	58-3/8" - 59-3/4"	9-11/16"	53-1/2"
36" x 60" Platform	13-5/8"	18-1/16"	64-3/8" - 65-3/4"	9-11/16"	53-1/2"
42" x 60" Platform	13-5/8"	18-1/16"	64-3/8" - 65-3/4"	15-11/16"	59-1/2"



UNITS WITH 90° / ADJACENT EXIT PLATFORM WITH PLATFORM GATE
(PIT APPLICATION)

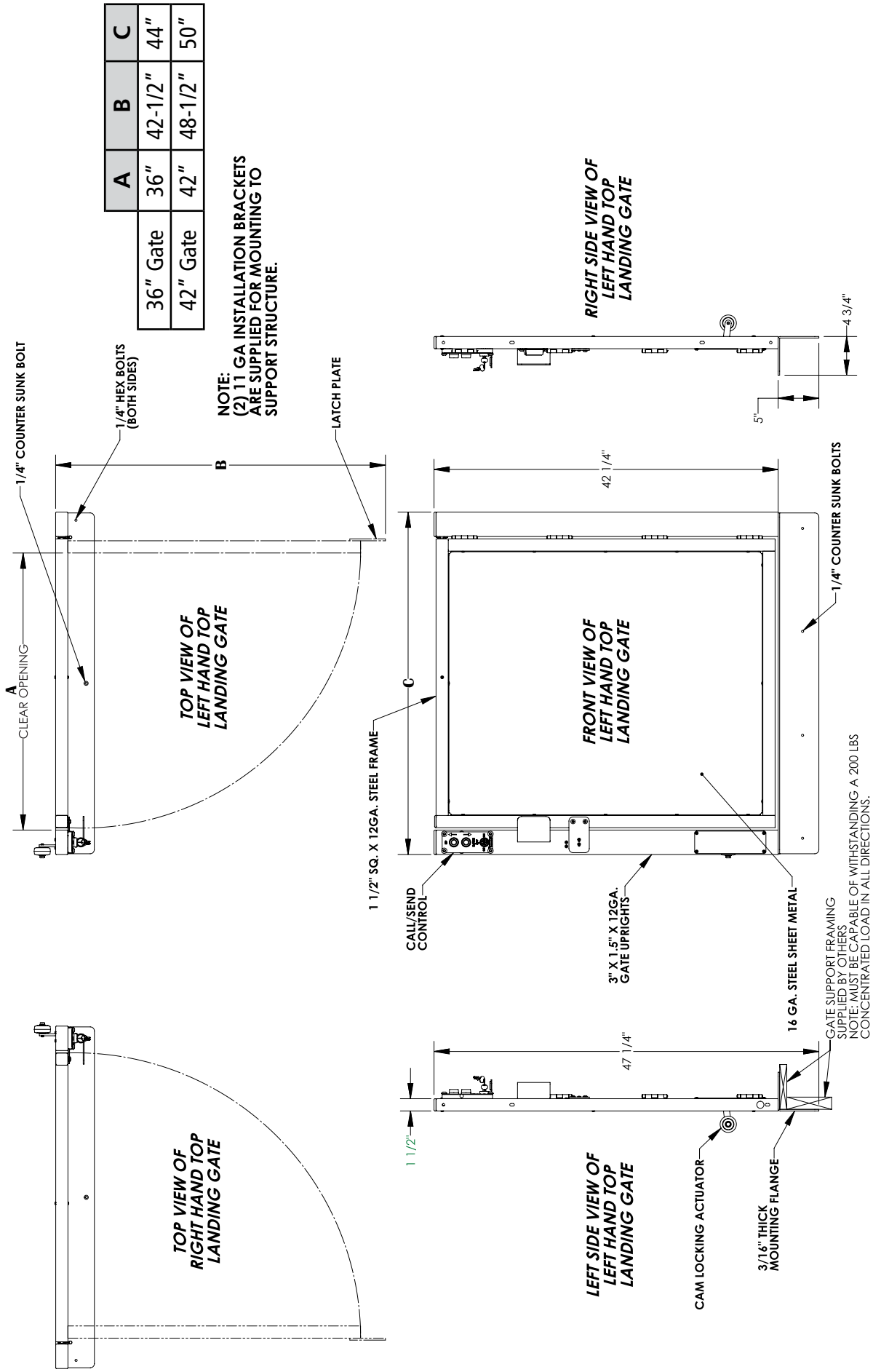
Landing Gate Detail

VPL-3300B Series

(Viewed at top landing)

bruno.com/cvpl | 1-800-848-3056
 ILS-00938 - Rev. 5 • Sheet 1 of 4

Note: All dimensions applicable for LH or RH landing gate



Landing Gate Detail

VPL-3300B Series Straight through Platform

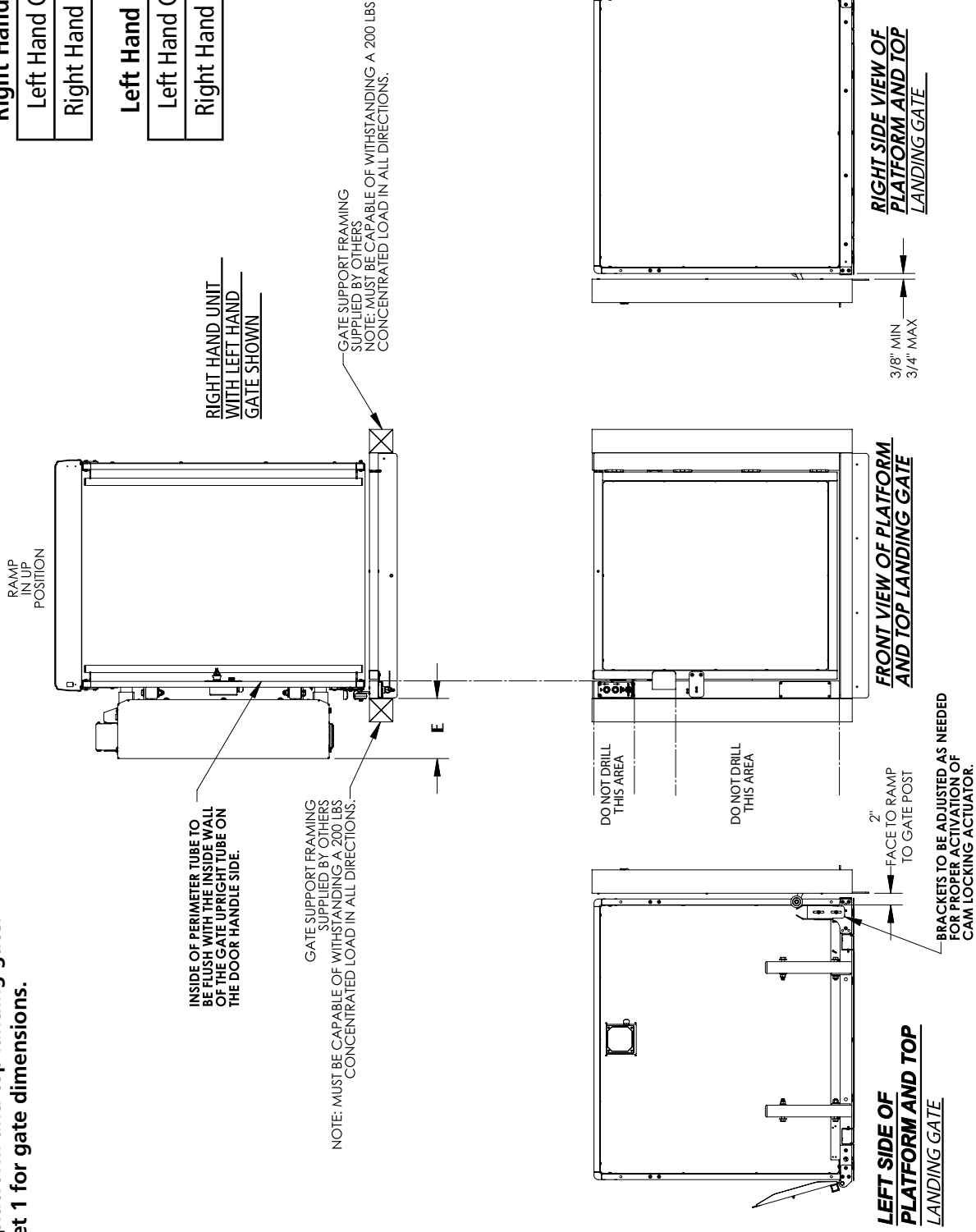
(Viewed at top landing)

Note: All dimensions applicable for LH or RH landing gate

Top view of platform and top landing gate.
 Refer to sheet 1 for gate dimensions.

Right Hand Unit		E
Left Hand Gate	10-1/4"	
Right Hand Gate	8-1/2"	

Left Hand Unit		E
Left Hand Gate	8-1/2"	
Right Hand Gate	10-1/4"	

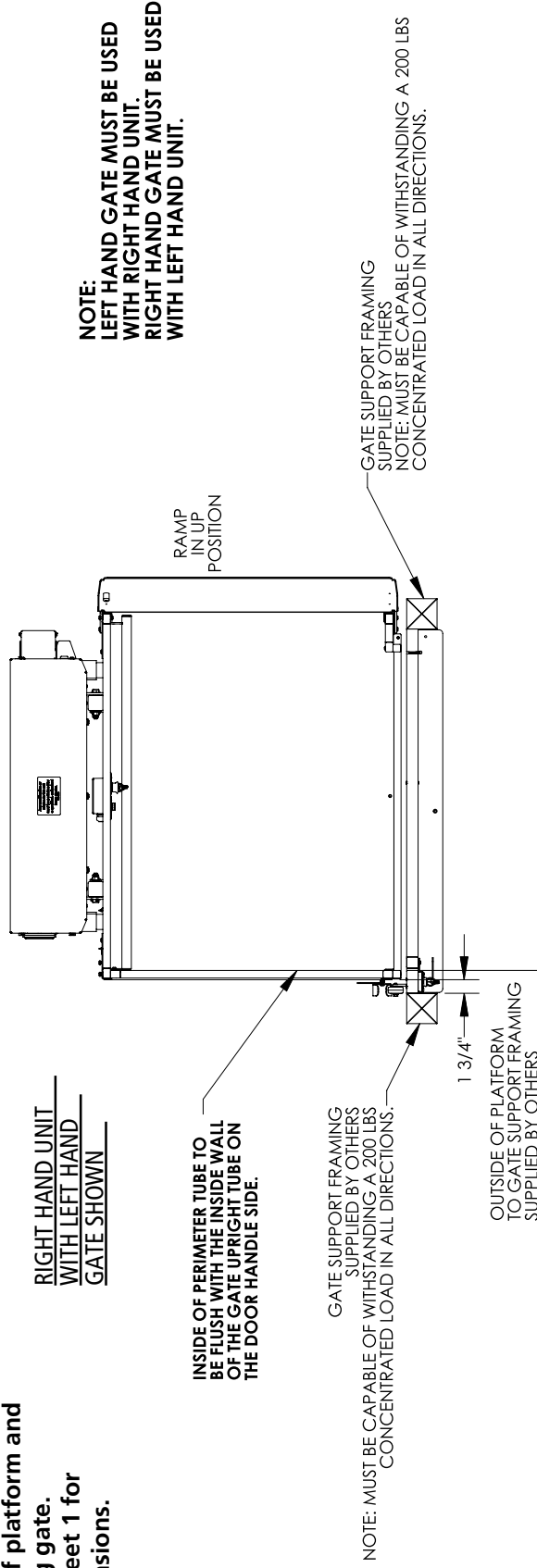


Landing Gate Detail

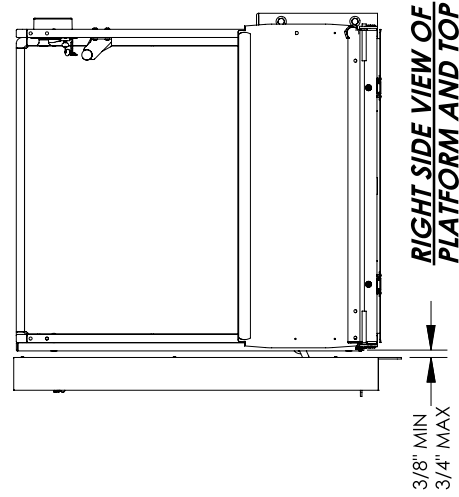
VPL-3300B Series 90° / Adjacent Exit Platform

(Viewed at top landing)

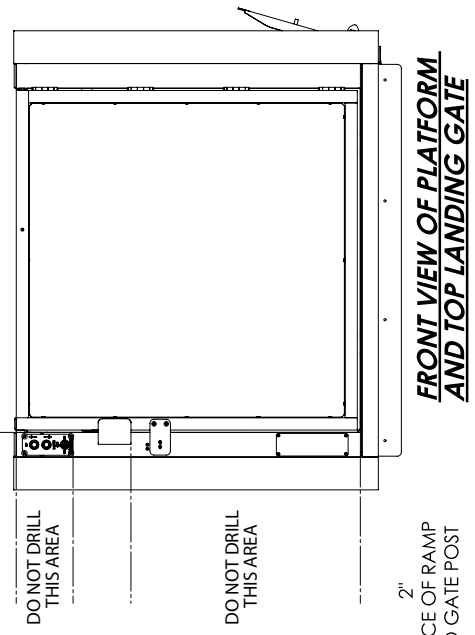
Top view of platform and top landing gate.
 Refer to sheet 1 for gate dimensions.



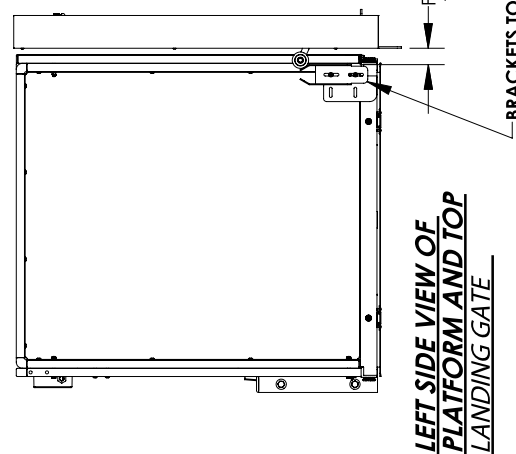
NOTE:
 LEFT HAND GATE MUST BE USED WITH RIGHT HAND UNIT.
 RIGHT HAND GATE MUST BE USED WITH LEFT HAND UNIT.



RIGHT SIDE VIEW OF PLATFORM AND TOP LANDING GATE



FRONT VIEW OF PLATFORM AND TOP LANDING GATE



LEFT SIDE VIEW OF PLATFORM AND TOP LANDING GATE

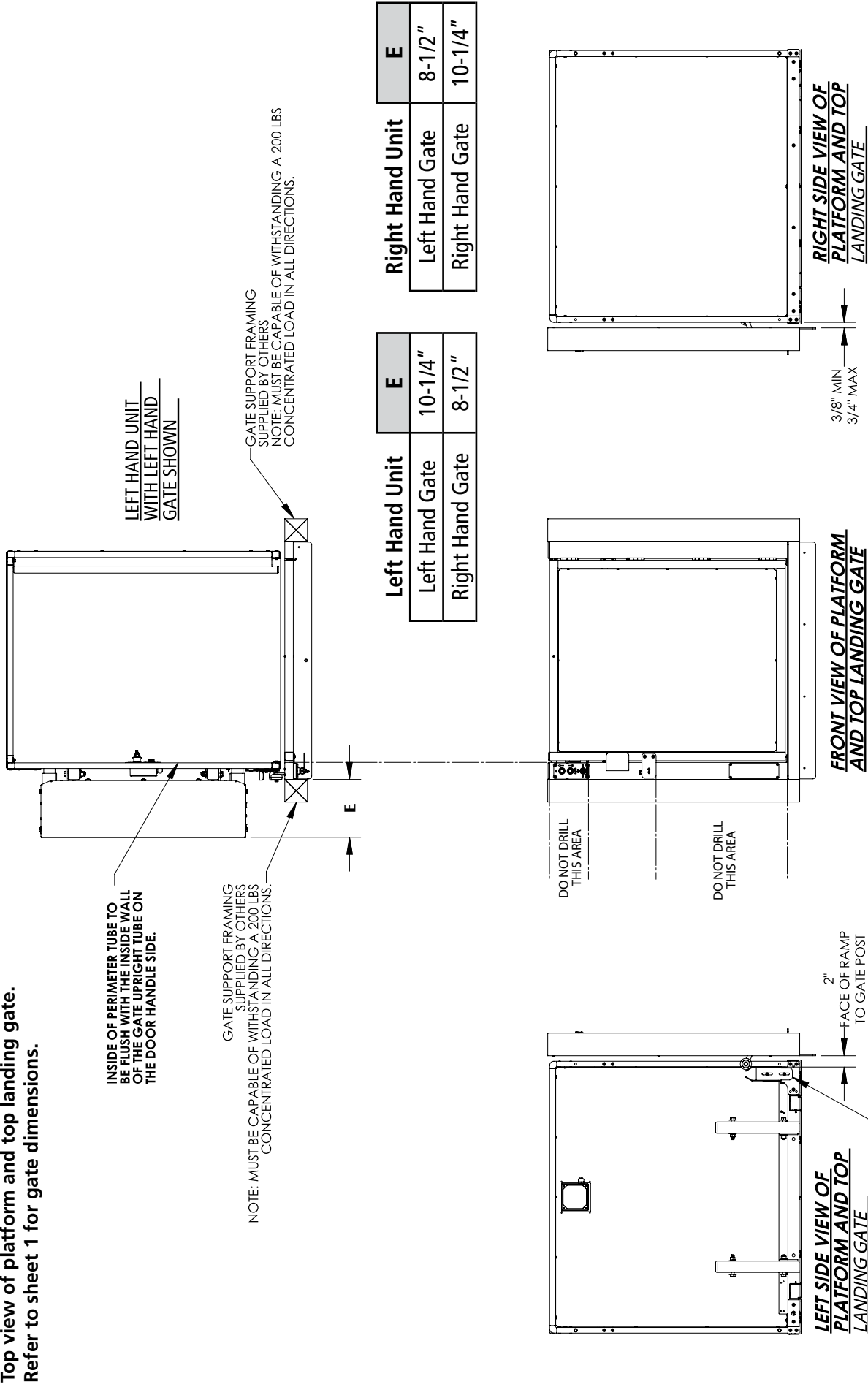
BRACKETS TO BE ADJUSTED AS NEEDED FOR PROPER ACTIVATION OF CAM LOCKING ACTUATOR.

Landing Gate Detail

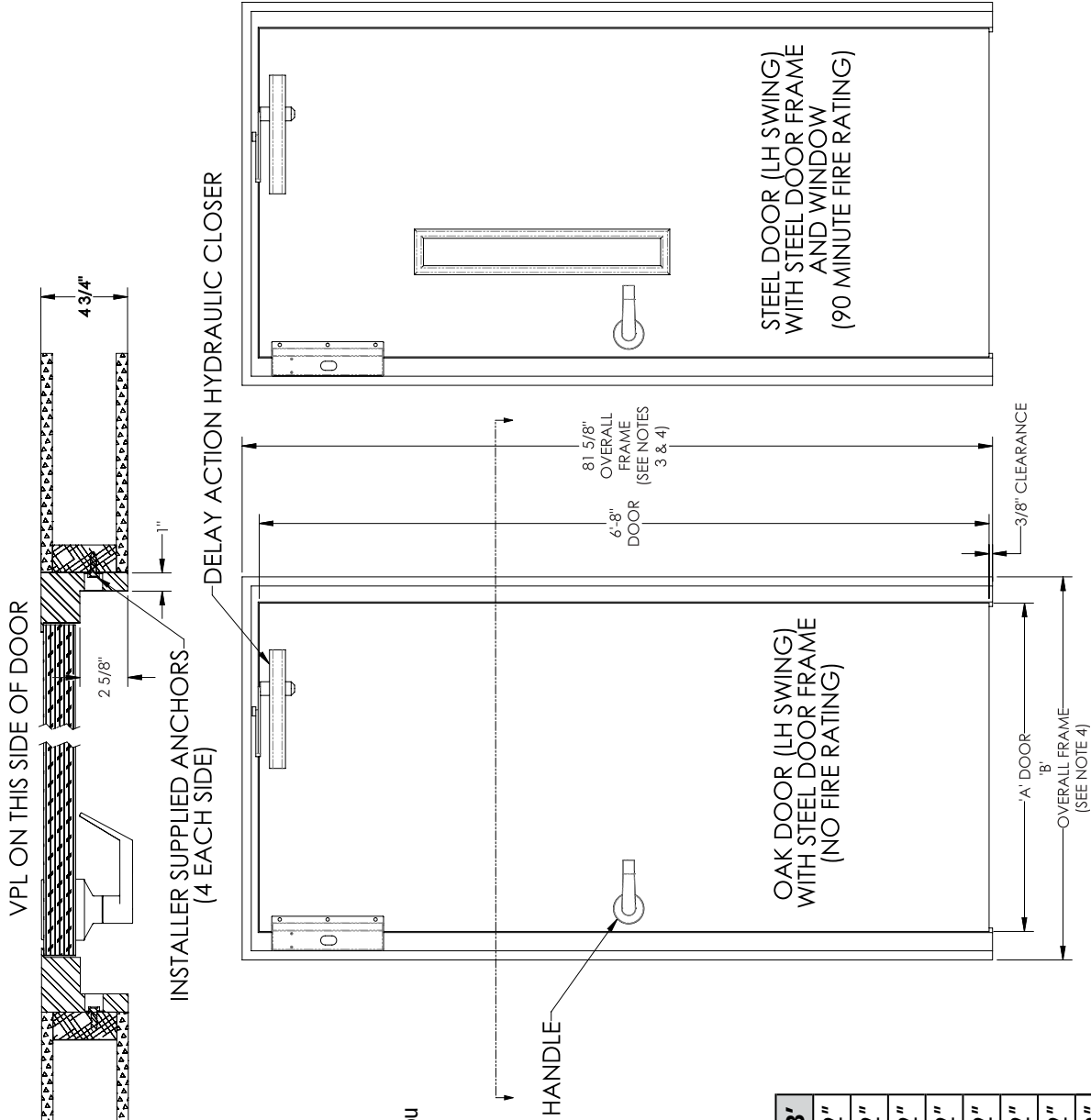
VPL-3300B Series Same Side Platform

(Viewed at top landing)

Top view of platform and top landing gate.
 Refer to sheet 1 for gate dimensions.



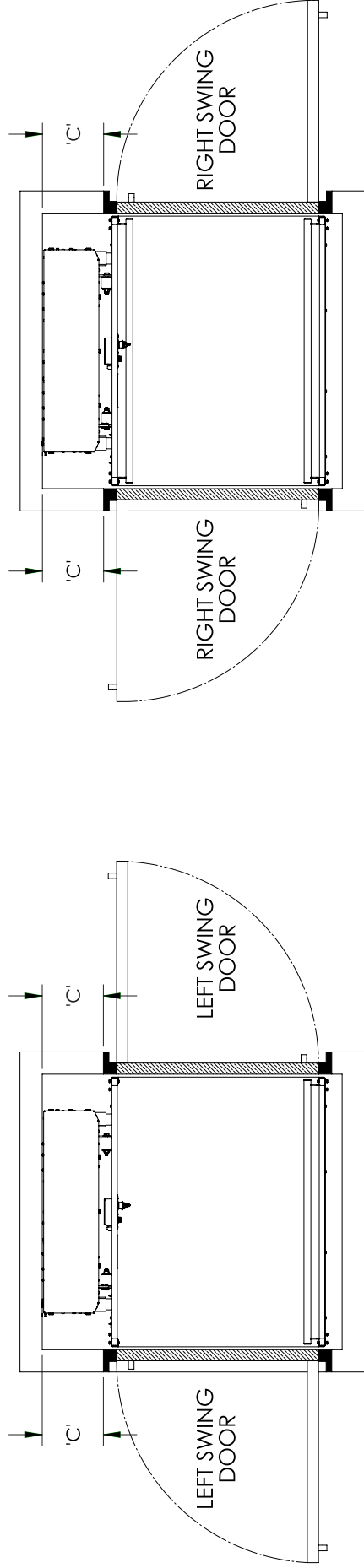
Flush mount door detail



- Notes:**
1. Door frame is shipped with tackplate sill which is removed during installation (use a hammer to remove).
 2. Finish:
 - A) Oak door is plain (not finished) and frame is gray primer finish.
 - B) Steel door and frame has a gray primer finish.
 3. If door is used with a fixed ramp, raise the door frame up the height of the fixed ramp. Please allow for this in the rough opening if needed. You will have to finish the bottom of the door frame as needed.
 4. Add 1/2" to overall frame dimensions to determine rough opening.

Part No.	Description	'A'	'B'
VPL-32236	Flush mount 36" Oak door (LH swing)	36"	42"
VPL-32237	Flush mount 36" Oak door (RH swing)	36"	42"
VPL-32238	Flush mount 36" Steel door (LH swing)	36"	42"
VPL-32239	Flush mount 36" Steel door (RH swing)	36"	42"
VPL-32272	Flush mount 46" Oak door (LH swing)	46"	52"
VPL-32273	Flush mount 46" Oak door (RH swing)	46"	52"
VPL-32274	Flush mount 46" Steel door (LH swing)	46"	52"
VPL-32275	Flush mount 46" Steel door (RH swing)	46"	52"

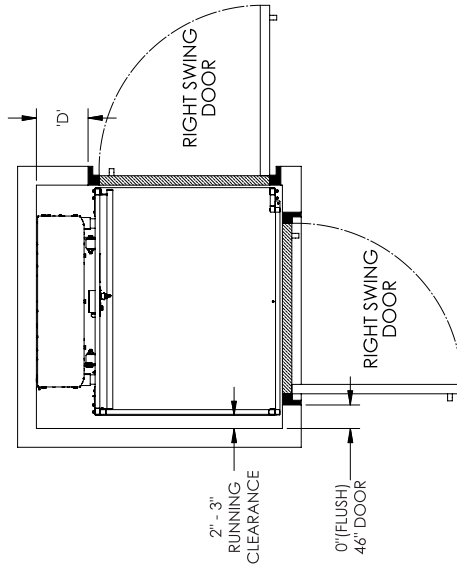
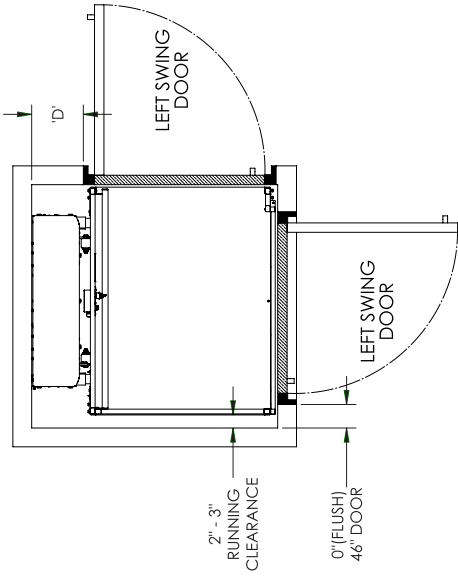
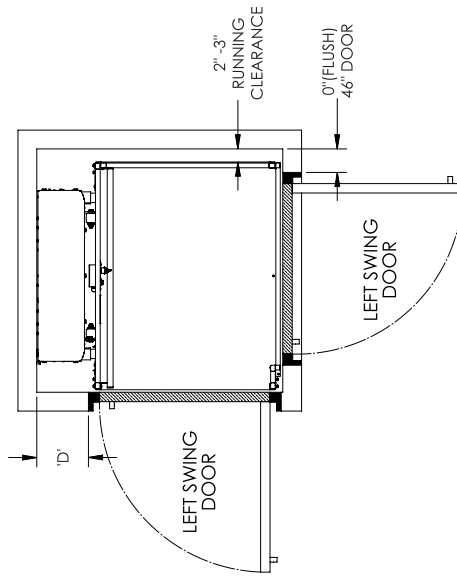
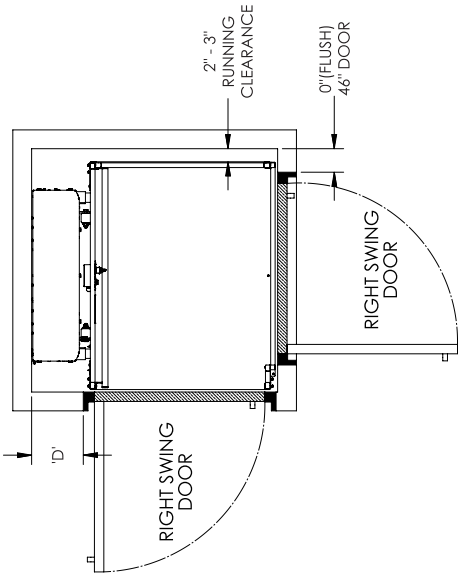
Flush mount door alignment Straight through platform - Plan views



PLAN VIEWS

Door Size	Door Location	Door Swing	Left Hand Unit 'C'	Right Hand Unit 'C'
36"	Lower landing	Left swing door	11"	9-3/4"
36"	Lower landing	Right swing door	9-3/4"	11"
36"	Upper landing	Left swing door	9-3/4"	11"
36"	Upper landing	Right swing door	11"	9-3/4"
46"	Lower landing	Left swing door	9"	7-3/4"
46"	Lower landing	Right swing door	7-3/4"	9"
46"	Upper landing	Left swing door	7-3/4"	9"
46"	Upper landing	Right swing door	9"	7-3/4"

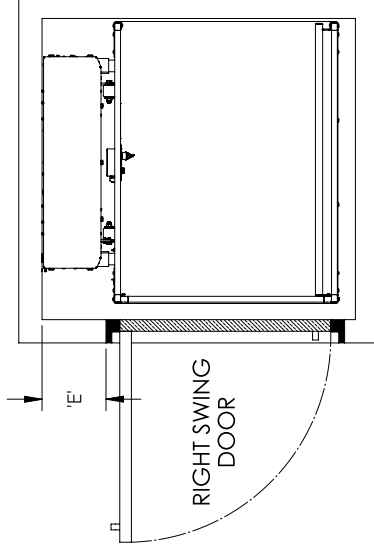
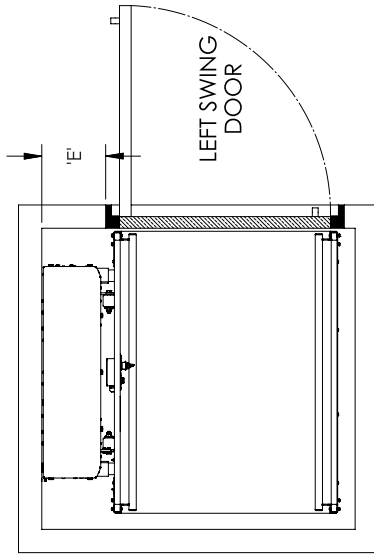
Flush mount door alignment 90°/Adjacent exit platform - Plan views



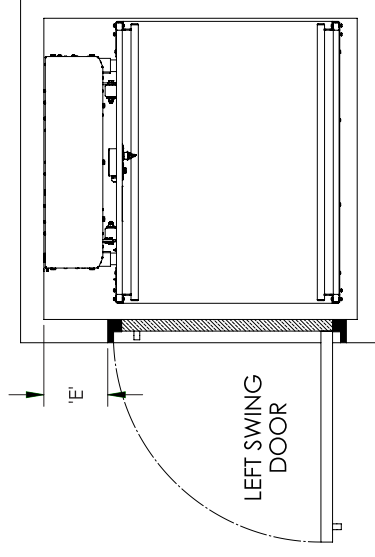
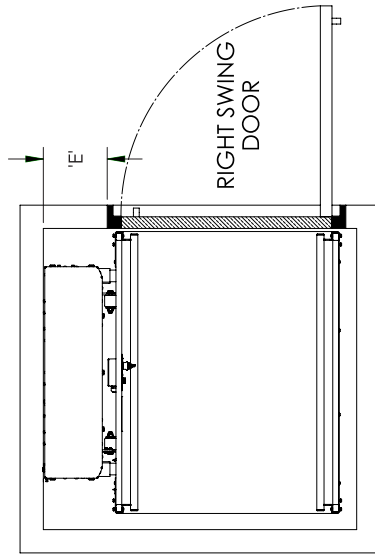
PLAN VIEWS

Platform Size	Door Size	Door Location	Door Swing	Left Hand Unit 'D'	Right Hand Unit 'D'
36"	36"	Lower landing	Left swing door	11"	9-3/4"
36"	36"	Lower landing	Right swing door	9-3/4"	11"
36"	46"	Upper landing	Left swing door	Flush	Flush
36"	36"	Upper landing	Right swing door	Flush	Flush
42"	46"	Lower landing	Left swing door	9"	7-3/4"
42"	46"	Lower landing	Right swing door	7-3/4"	9"
42"	46"	Upper landing	Left swing door	Flush	Flush
42"	46"	Upper landing	Right swing door	Flush	Flush

Flush mount door detail - Same Side Platform



PLAN VIEWS



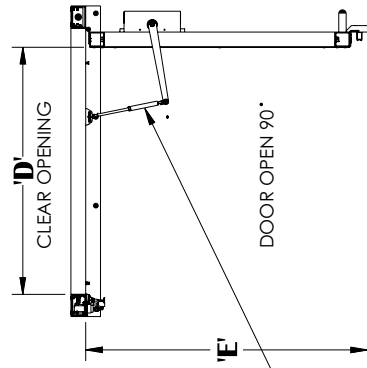
Door Size	Door Location	Door Swing	Left Hand Unit 'E'	Right Hand Unit 'E'
36"	Lower landing	Left swing door	11"	9-3/4"
36"	Lower landing	Right swing door	9-3/4"	11"
36"	Upper landing	Left swing door	11"	9-3/4"
36"	Upper landing	Right swing door	9-3/4"	11"
46"	Lower landing	Left swing door	9"	7-3/4"
46"	Lower landing	Right swing door	7-3/4"	9"
46"	Upper landing	Left swing door	9"	7-3/4"
46"	Upper landing	Right swing door	7-3/4"	9"

Flush mount aluminum door detail - LH Swing

Description	'A'	'B'	'C'	'D'	'E'
Flush mount 36" aluminum door	36"	42"	42-1/2"	33-3/8"	38-1/8"
Flush mount 45" aluminum door	45"	51"	51-1/2"	42-3/8"	47-1/8"

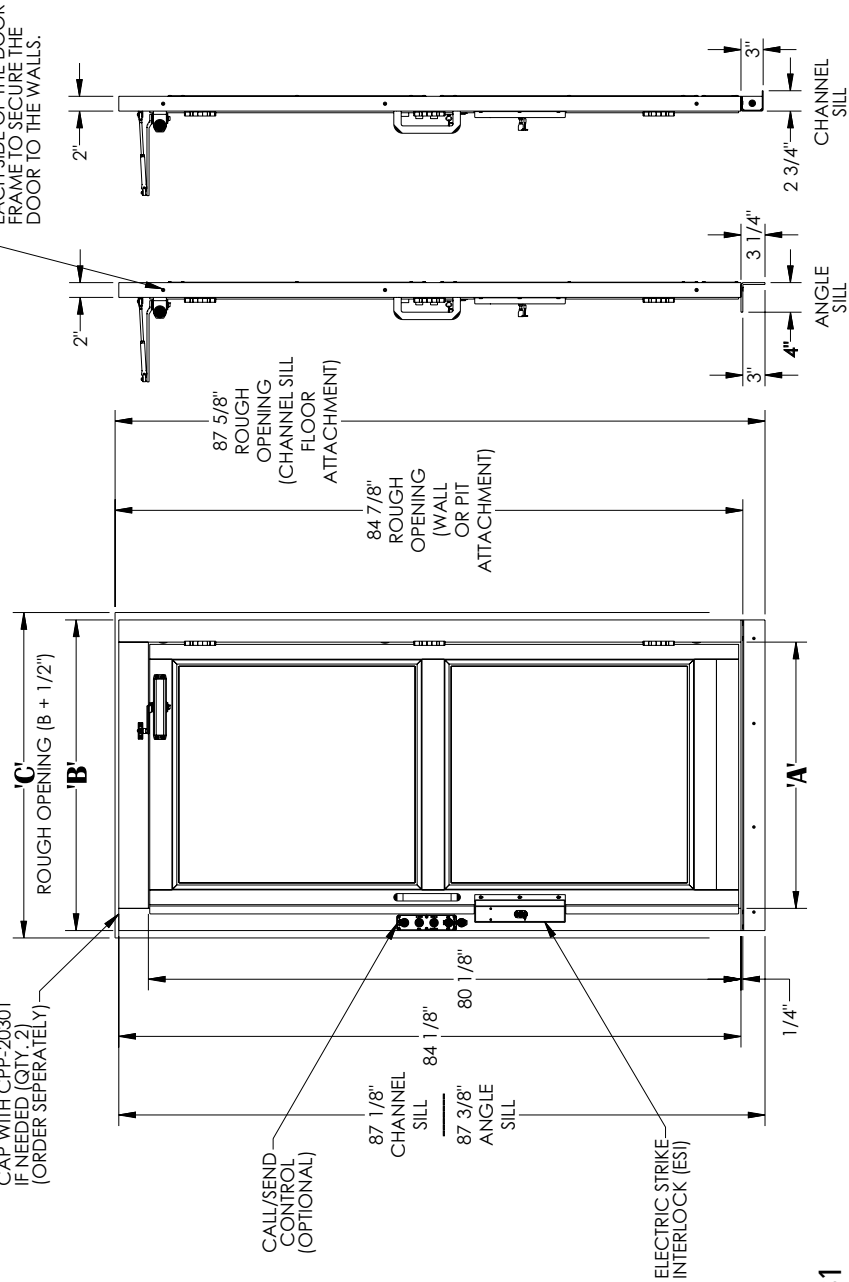
Notes:

- Two pieces of vertical frame trim is included. Trim can be used as needed when installing the door.
- Dealer to supply mounting hardware (i.e. screws, anchors).
- Panel insert material is either clear acrylic or bronze acrylic. Panels are shipped with a protective paper to be removed by installer
- When angle sill is used in a pit, pit depth should be at least 3"
- When channels sill is used in a pit, pit depth should be 3" (door will not open if pit is over 3")

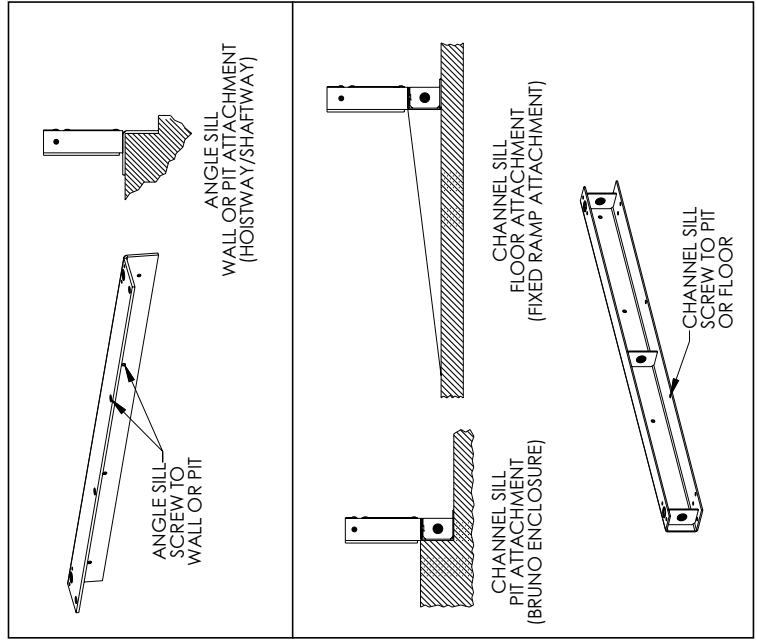


DOOR CLOSER PROVIDED
 (REMOVED BY INSTALLER IF
 INSTALLING A DOOR OPENER)

CAP WITH CPP-20301
 IF NEEDED (QTY. 2)
 (ORDER SEPARATELY)



THERE ARE 3 MOUNTING
 HOLES (7/16\"/>

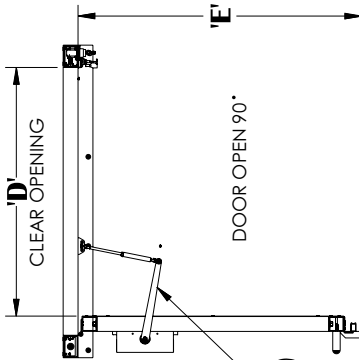


Flush mount aluminum door detail - RH Swing

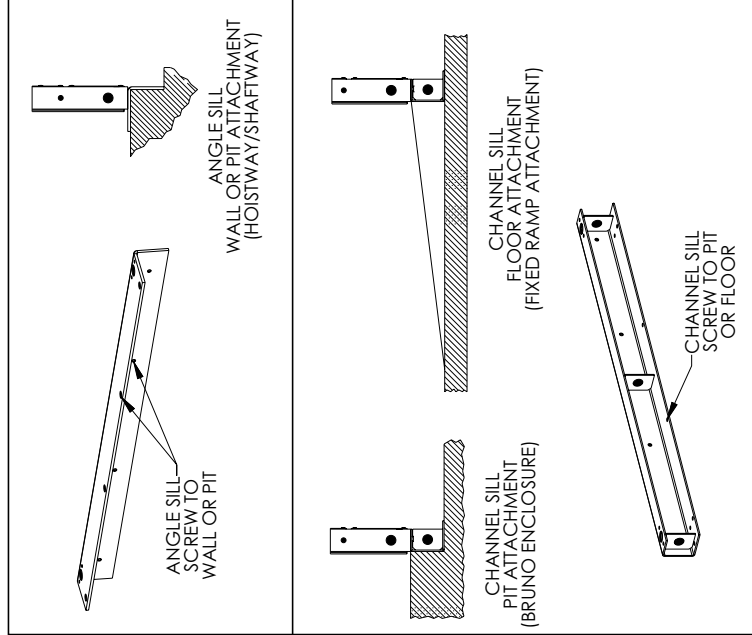
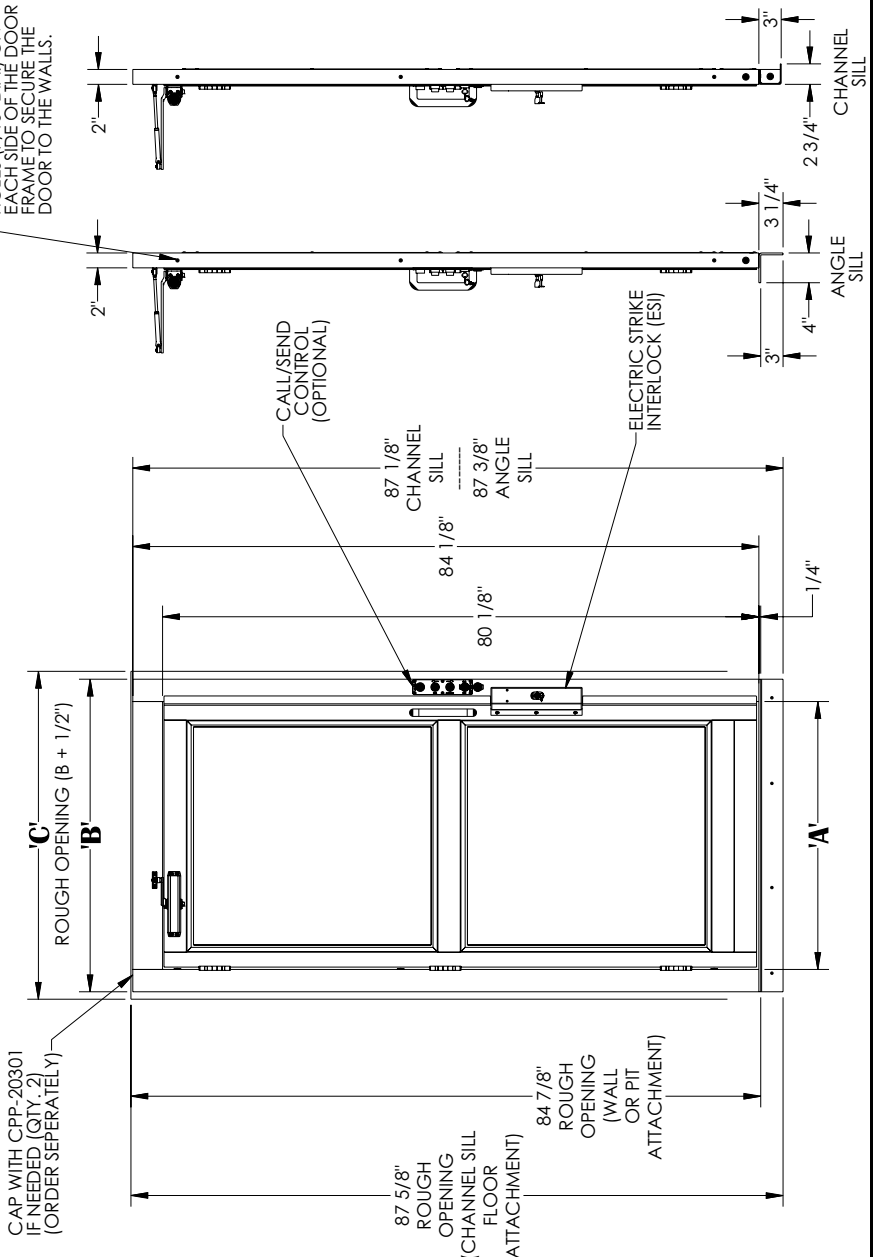
Description	'A'	'B'	'C'	'D'	'E'
Flush mount 36" aluminum door	36"	42"	42-1/2"	33-3/8"	38-1/8"
Flush mount 45" aluminum door	45"	51"	51-1/2"	42-3/8"	47-1/8"

Notes:

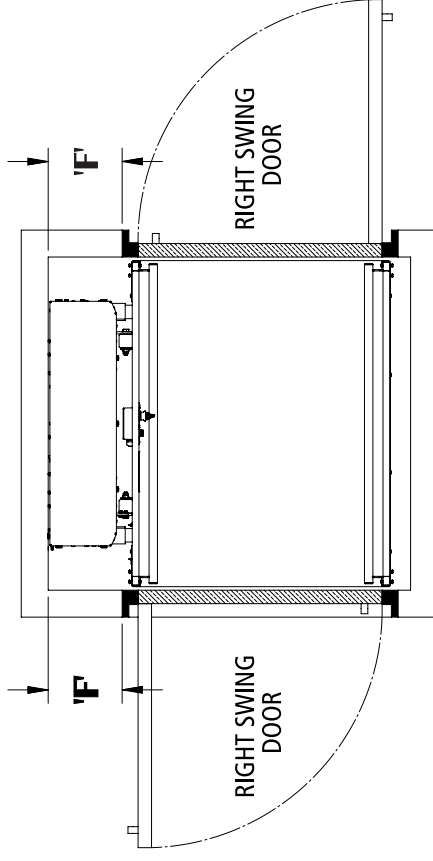
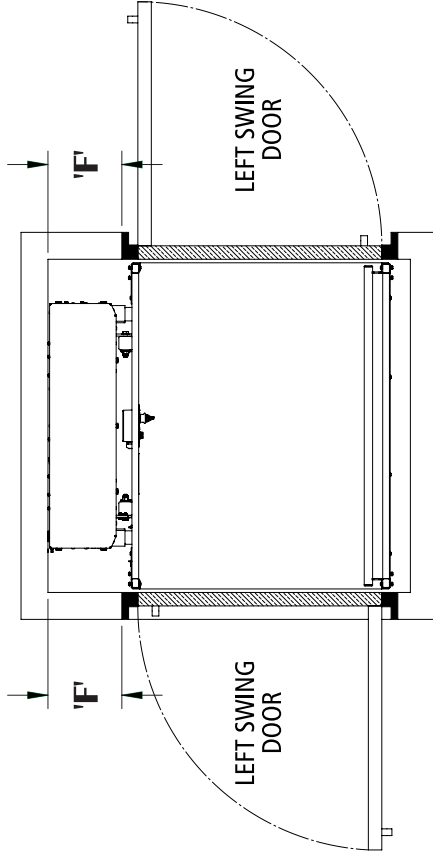
1. Two pieces of vertical frame trim is included. Trim can be used as needed when installing the door.
2. Dealer to supply mounting hardware (i.e. screws, anchors).
3. Panel insert material is either clear acrylic or bronze acrylic. Panels are shipped with a protective paper to be removed by installer
4. When angle sill is used in a pit, pit depth should be at least 3"
5. When channels sill is used in a pit, pit depth should be 3" (door will not open if pit is over 3")



THERE ARE 3 MOUNTING HOLES (7/16" DIA) ON EACH SIDE OF THE DOOR FRAME TO SECURE THE DOOR TO THE WALLS.

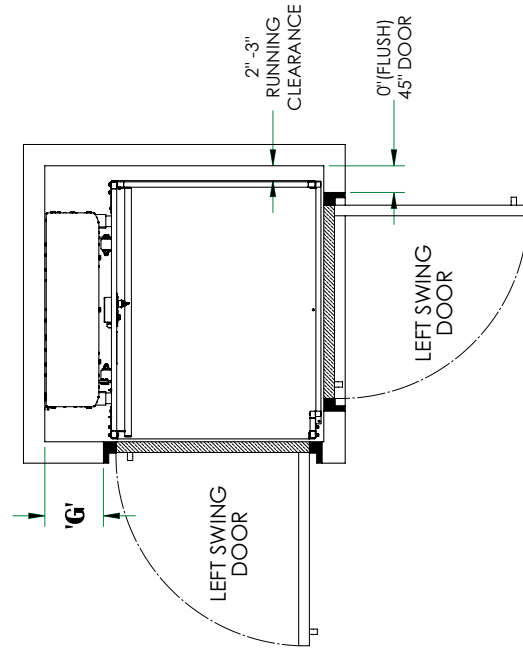
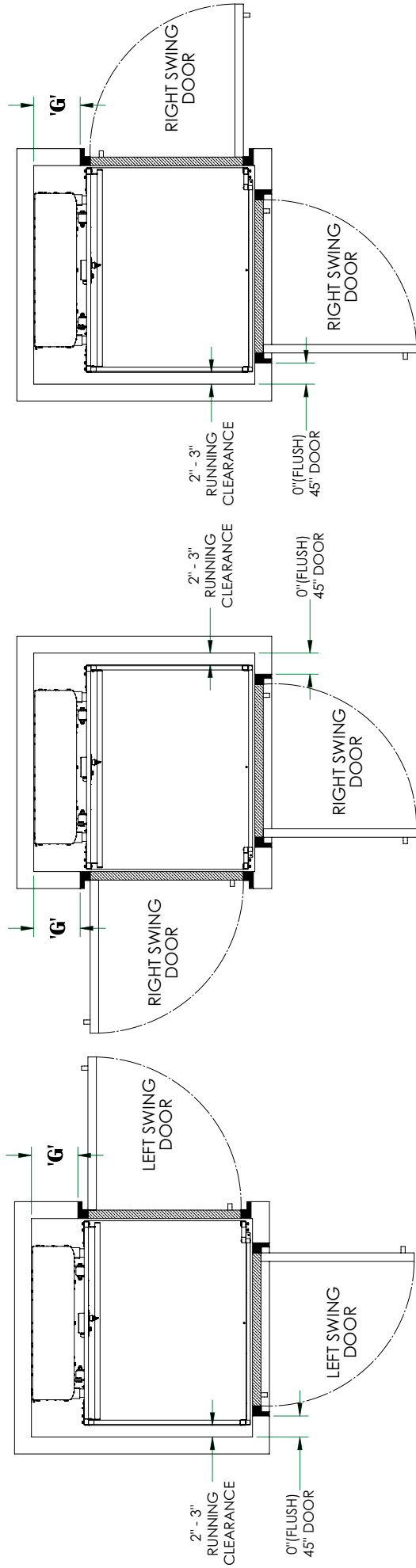


Flush mount aluminum door alignment Straight through platform - plan views



Door Size	Door Location	Door Swing	LH Unit 'F'	RH Unit 'F'
36"	Lower landing	Left swing door	11-5/8"	9-1/8"
36"	Lower landing	Right swing door	9-1/8"	11-5/8"
36"	Upper landing	Left swing door	9-1/8"	11-5/8"
36"	Upper landing	Right swing door	11-5/8"	9-1/8"
45"	Lower landing	Left swing door	10-1/8"	7-5/8"
45"	Lower landing	Right swing door	7-5/8"	10-1/8"
45"	Upper landing	Left swing door	7-5/8"	10-1/8"
45"	Upper landing	Right swing door	10-1/8"	7-5/8"

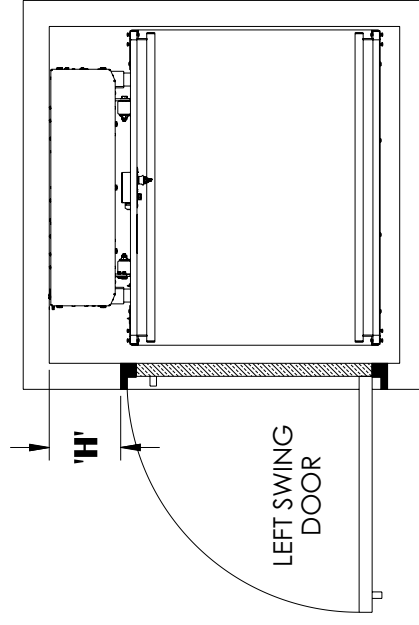
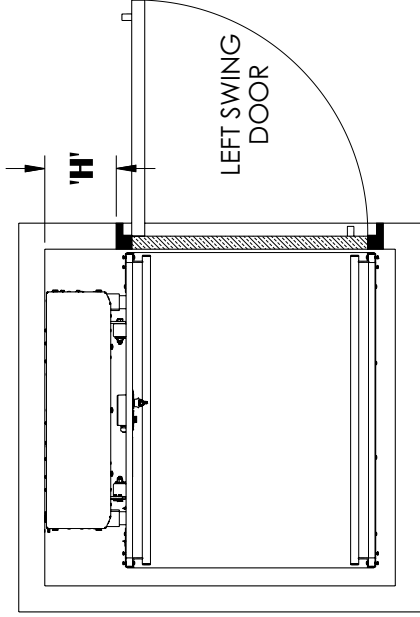
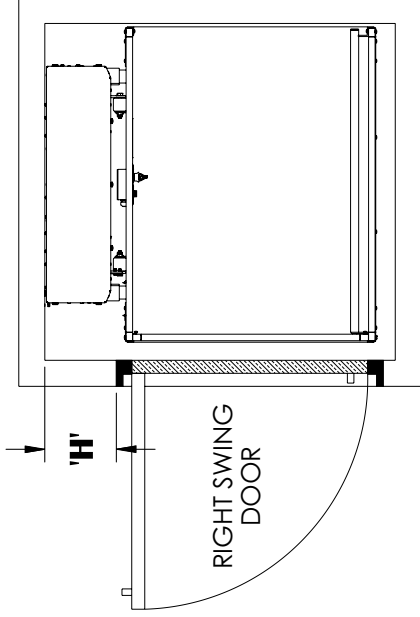
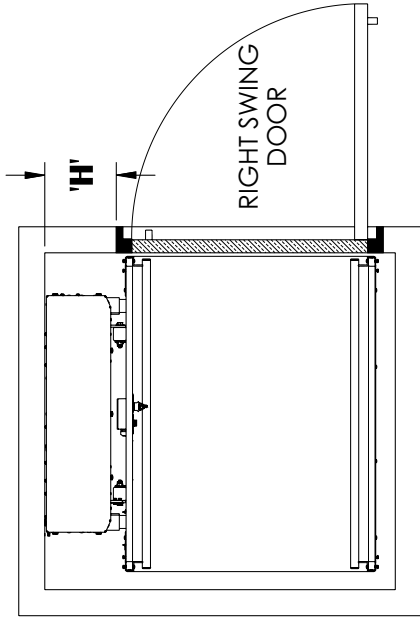
Flush mount aluminum door alignment 90°/Adjacent exit platform- plan views



Platform Size	Door Size	Door Location	Door Swing	LH Unit 'G'	RH Unit 'G'
36"	36"	Lower landing	Left swing door	11-5/8"	9-1/8"
36"	36"	Lower landing	Right swing door	9-1/8"	11-5/8"
36"	45"	Upper landing	Left swing door	Flush	1"
36"	45"	Upper landing	Right swing door	1"	Flush
42"	45"	Lower landing	Left swing door	10-1/8"	7-5/8"
42"	45"	Lower landing	Right swing door	7-5/8"	10-5/8"
42"	45"	Upper landing	Left swing door	Flush	1"
42"	45"	Upper landing	Right swing door	1"	Flush

Flush mount aluminum door alignment Same side platform - plan views

bruno.com/cvpl | 1-800-848-3056
ILS-01194 - Rev. 2 • Sheet 5 of 5



Platform Size	Door Location	Door Swing	LH Unit 'H'	RH Unit 'H'
36"	Lower landing	Left swing door	11-5/8"	9-1/8"
36"	Lower landing	Right swing door	9-1/8"	11-5/8"
36"	Upper landing	Left swing door	11-5/8"	9-1/8"
36"	Upper landing	Right swing door	9-1/8"	11-5/8"
45"	Lower landing	Left swing door	10-1/8"	7-5/8"
45"	Lower landing	Right swing door	7-5/8"	10-1/8"
45"	Upper landing	Left swing door	10-1/8"	7-5/8"
45"	Upper landing	Right swing door	7-5/8"	10-1/8"



Bruno Independent Living Aids, Inc.
1780 Executive Drive, Oconomowoc, WI 53066
www.bruno.com

1-800-848-3056 | bruno.com/cvpl

© Bruno Independent Living Aids, Inc. 2021