

Model 2422-2432

Wall-to-Wall™ lift

A quick solution for toilet transfers



SUREHANDS®



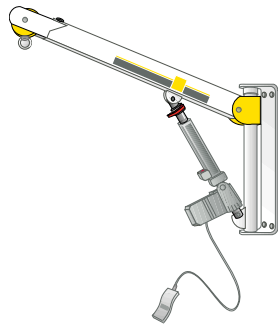
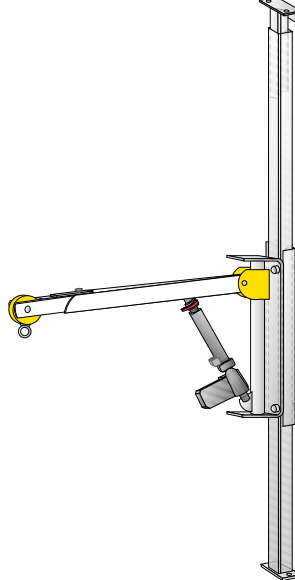
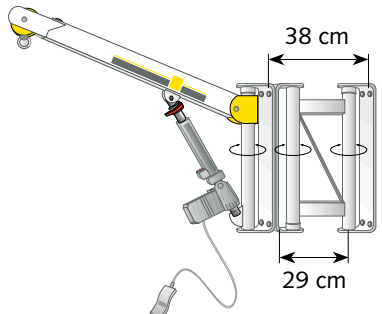
- Portable lifting options
- Wall or floor mounted
- Easy to remove and re-use
- Perfect for areas where access is restricted
- Accommodates both the SureHands® Body Support and conventional slings
- Extendible boom arm
- Rotating range 180°
- An economical solution

Specialists in innovative and reliable lift & care systems

www.surehands.com

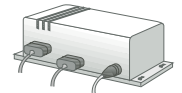
Wall-to-Wall™ lift

● Three possibilities for fixation

Mounted on wall plate(s)	Mounted on standing support(s)	Wall plate + extension for a larger range
		

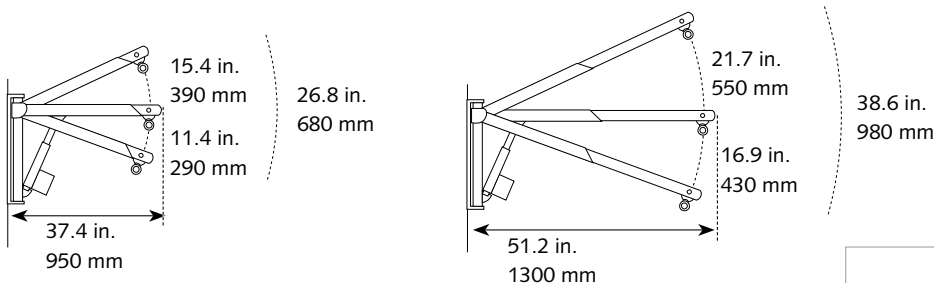
● Dimensions and specifications

- Actuator directly on the mains power with pneumatic handcontrol
- Actuator on 24 V DC transformer with emergency power facilities and electric handcontrol



Safe working load	320 lbs. / 145 kg	
Wall plate	width	5.5 in. / 140 mm
	height	27 in. / 687 mm
Standing support	outside dimensions	3.1 x 1.7 in. / 80 x 50 mm
	max. height	118 in. 3000 mm
Boom arm	extendible	
Weight	35.3 lbs. / 16 kg	
Safety mechanism	built-in	

● Technical specifications



Local Representative



Lift & Care® is a registered trademark of T.F. Herceg, Inc. dba SUREHANDS LIFT & CARE SYSTEMS.

© 29-01-2018 • Handi-Move • v3.2